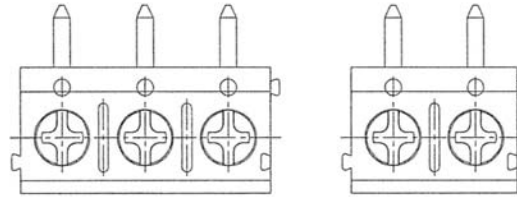
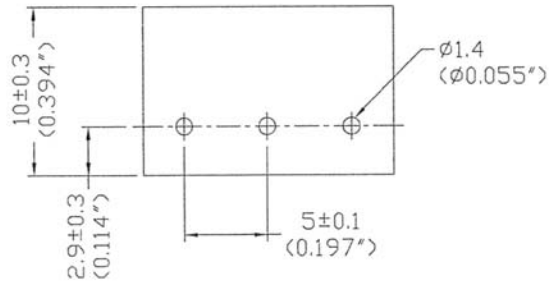
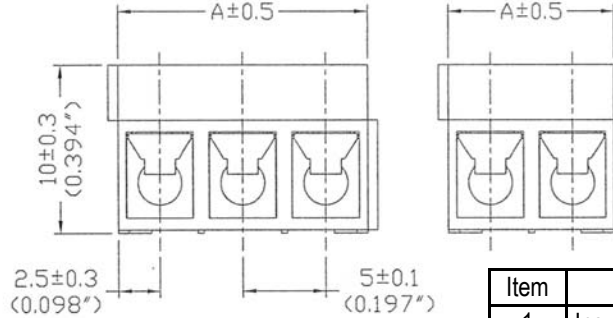
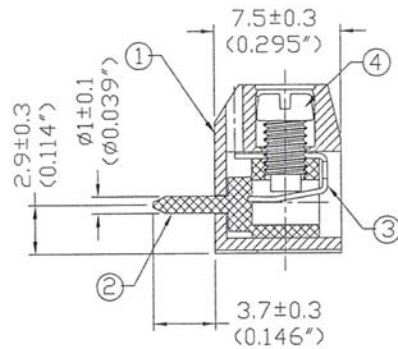


PCB Layout



SPECIFICATIONS

Current Rating:	16Amp AC300V
Withstanding:	AC1500V min
Insulation Resistance:	>2000MΩ DC 500V
Wire Strip Length:	4mm~5mm
Wire Range:	16~24AWG
Screw Torque:	4.0 lb-inch
Operating Temp:	-40C to +105C



Item	Name	Material	Plating / Remark
1	Insulating Body	Polyamide 66 UL94V-0	Blue
2	Terminal	Brass	Tin Plated
3	Wire Protector	Phosphor Bronze	Tin Plated
4	Screw	Steel	Zinc +Cr ⁺³

Series	Type	Pitch	Positions	Color
CMTB	MA414M	500	XX	XX
Terminal Block	Top Entry Modular	500=5mm	02-30	BL=Blue (std) GN=Green

RoHS compliant

Rev.	Description	Date	Approved	Drawing	Name	Date
				Approved	Howard	12/20/10
				Checked	Lizzy	12/20/10
				Drawn	Tina	12/20/10
				0.0 ± 0.35	0.00 ± 0.20	Angles ± 3'
				UNIT: mm		

Central Components Manufacturing
 440 Lincoln Blvd., Middlesex, New Jersey 08846
 Phone 732 469-5720 888 288-5152 Fax 732 469-1919

Part No.: **CMTB-MA414M-500-XX-XX**

Description: Terminal Block, Top Entry Modular