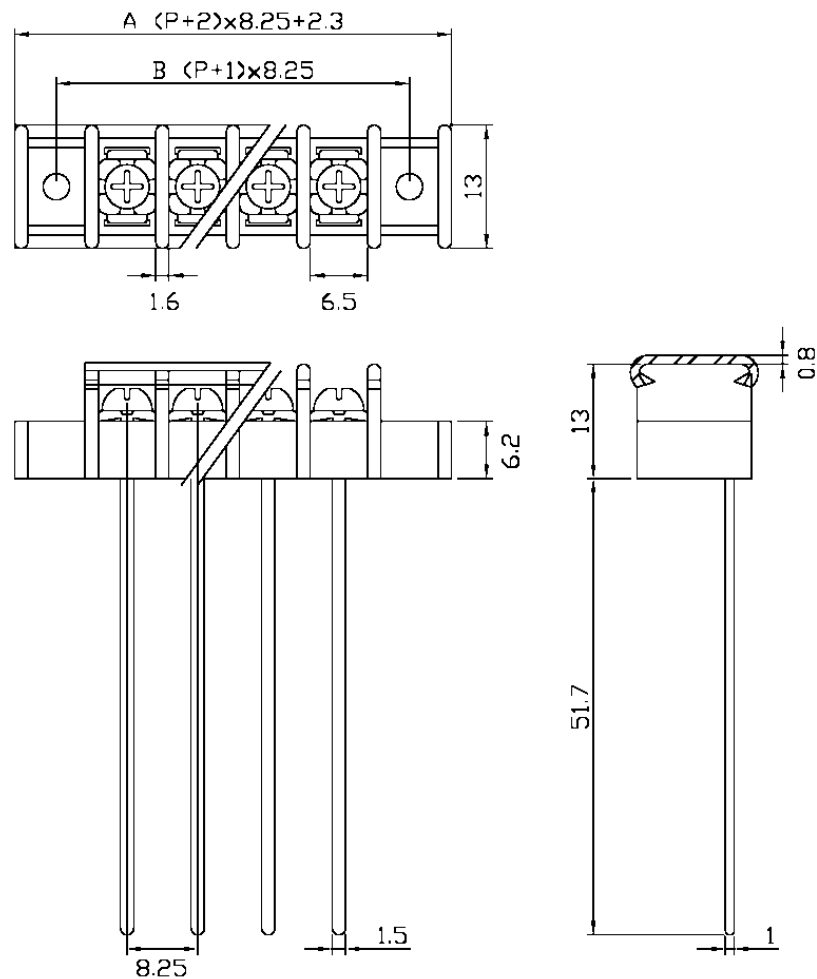
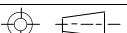


**SPECIFICATIONS**

Current rating: 20 amps  
 Voltage rating: 300VAC  
 Terminals: Brass  
 Terminal plating: Tin  
 Body material: Thermoplastic, UL94V-0, black  
 Insulator resistance: 500 megohms min. at 500VDC  
 Screw material: Steel  
 Screw plating: Nickel  
 Withstanding: 2,000VAC  
 Wire range: 14-18 AWG stranded



RoHS compliant

Rev.	Description	Date	Approved	Drawing	Name	Date
				Approved	Howard	08/10/99
				Checked	Lizzy	08/10/99
				Drawn	Tina	08/10/99
				0.0 ± 0.35	0.00 ± 0.20	Angles ± 3'
				 UNIT: mm		

**Central Components Manufacturing**  
 440 Lincoln Blvd., Middlesex, New Jersey 08846  
 Phone 732 469-5720 888 288-5152 Fax 732 469-1919

Part No.: **CMTB-HD817PH(2.035)-825-XX-BK**

Description: Barrier strip terminal block with mounting holes