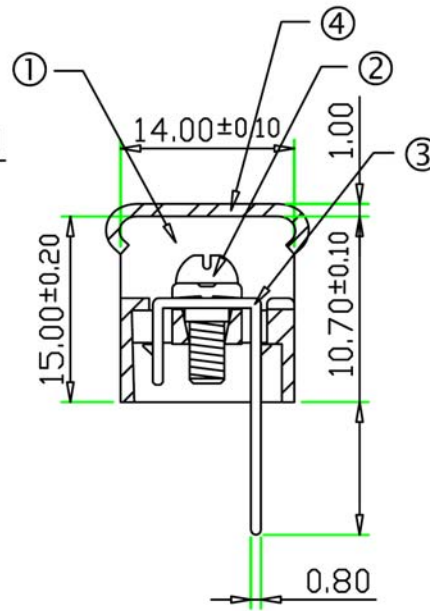
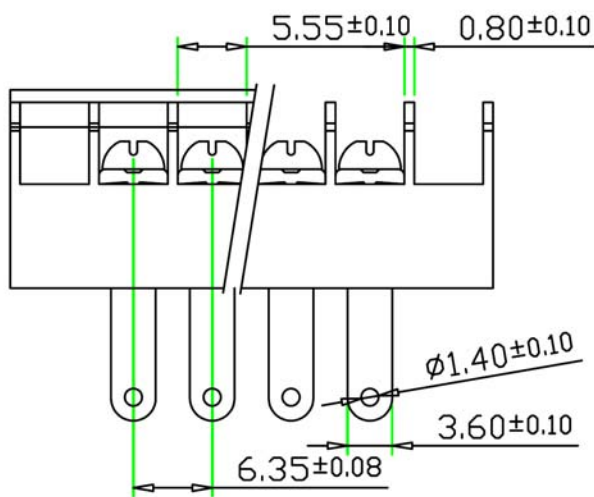


SPECIFICATIONS

Rated: 10 Amperes AC250V
 Housing Material: Polyamide 66 UL94V-0, Black
 Screw: M3.0 Nickel Plated Steel
 Terminals: Tin Plated Brass
 Cover: PC Transparent
 Screws Torque: 7 In-Lb
 Wire Range: 18~22 AWG
 Withstanding Voltage: AC 2000V Min.
 Insulation Resistance: >1000MΩ or more at DC500V
 Operating Temp: -55C~+110C



Dimensions					
Pole	A	B	Pole	A	B
2	26.55	19.05	16	115.45	107.95
3	32.9	25.4	17	121.8	114.3
4	39.25	31.75	18	128.15	120.65
5	45.6	38.1	19	134.5	127
6	51.95	44.45	20	140.85	133.35
7	58.3	50.8	21	147.2	139.7
8	64.65	57.15	22	153.55	146.05
9	71	63.5	23	159.9	152.4
10	83.7	69.85	24	166.25	158.75
11	83.7	76.2	25	172.6	165.1
12	90.05	82.55	26	179	171.5
13	96.4	88.9	27	185.3	177.8
14	102.75	95.25	28	191.7	184.2
15	109.1	101.6	29	198	190.5
			30	204.35	196.9

RoHS compliant

Rev.	Description	Date	Approved	Drawing	Name	Date
				Approved	Howard	01/05/10
				Checked	Lizzy	01/05/10
				Drawn	Tina	01/05/10
				0.0 ± 0.35	0.00 ± 0.20	Angles ± 3'
				UNIT: mm		

Central Components Manufacturing
 440 Lincoln Blvd., Middlesex, New Jersey 08846
 Phone 732 469-5720 888 288-5152 Fax 732 469-1919

Part No.: **CMTB-HD602HX-02-BK**

Description: Barrier Type Terminal Block