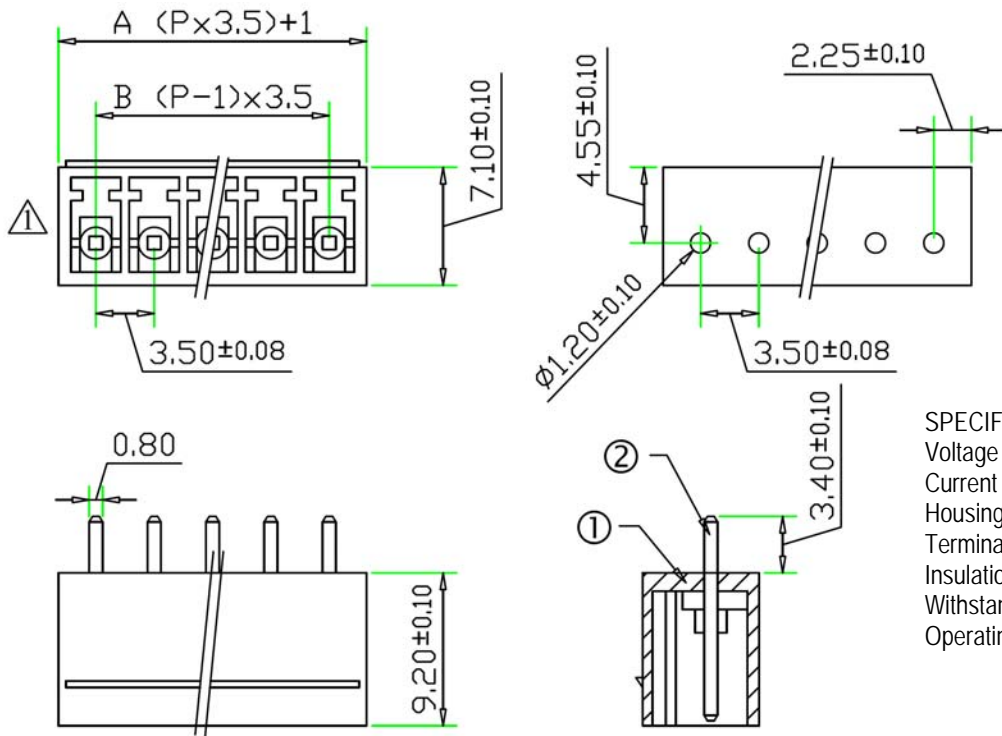


Dimensions		
Poles	A	B
2	8.0	3.5
3	11.5	7.0
4	15.0	10.5
5	18.5	14.0
6	22.0	17.5
7	25.5	21.0
8	29.0	24.5
9	32.5	28.0
10	36.0	31.5
11	39.5	35.0
12	43.0	38.5
13	46.5	42.0
14	50.0	45.5
15	53.5	49.0
16	57.0	52.5
17	60.5	56.0
18	64.0	59.5
19	67.5	63.0
20	71.0	66.5
21	74.5	70.0
22	78.0	73.5
23	81.5	77.0
24	85.0	80.5



**SPECIFICATIONS**

Voltage Rating:	300 VAC
Current Rating:	8 A
Housing Material:	P66 UL94V-0
Terminals:	Brass Tin Plated
Insulation Res.:	1000 Megohm at 500 VDC min
Withstanding:	2000 VAC min.
Operating Temp.:	-55°C to +115°C

Series	Type	Pitch	Positions	Color
CMTB	HD515XX	350	XX	GN
Terminal block	XX: V=Straight VF=St. with mounting flange R=Right angle RF=R/A with Mounting flange	350=3.50mm	02 to 24	GN=Green

RoHS compliant

Rev.	Description	Date	Approved	Drawing	Name	Date
				Approved	Howard	08/03/09
				Checked	Lizzy	08/03/09
				Drawn	Tina	08/03/09
				0.0 ± 0.35	0.00 ± 0.20	Angles ± 3'
				UNIT: mm		

**Central Components Manufacturing**  
 440 Lincoln Blvd., Middlesex, New Jersey 08846  
 Phone 732 469-5720 888 288-5152 Fax 732 469-1919

Part No.: **CMTB-HD516V-350-XX-GN**

Description: 3.5mm pitch male terminal block header vertical PCB mount