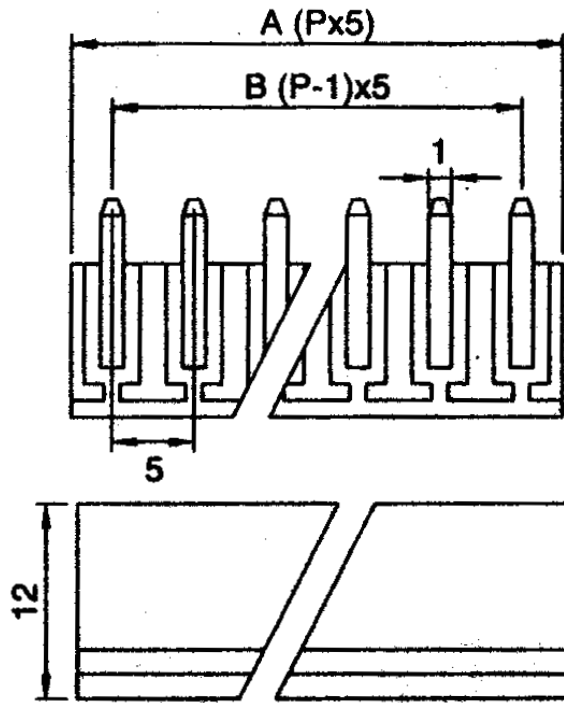


Pos.	A	B
2	10	5
3	15	10
4	20	15
5	25	20
6	30	25
7	35	30
8	40	35
9	45	40
10	50	45
11	55	50
12	60	55
13	65	60
14	70	65
15	75	70
16	80	75
17	85	80
18	90	85
19	95	90
20	100	95
21	105	100
22	110	105
23	115	110
24	120	115



**SPECIFICATIONS**

Current rating: 12 amps  
Voltage rating: 250VAC  
Terminal material: Brass  
Terminal plating: Tin  
Housing material: Thermoplastic, UL94V-0  
Insulation resistance: 500 megohms min. at 500VDC  
Screw material: Steel  
Screw plating: Nickel  
Withstanding: 2,000VAC

Series	Type	Pitch	Positions	Color
CMTB	HD515R	XXX	XX	XX
Terminal block	Right angle	500=5.00mm 508=5.08mm (.200")	2-24	GN=Green BK=Black

RoHS compliant

Rev.	Description	Date	Approved	Drawing	Name	Date
				Approved	Howard	08/10/99
				Checked	Lizzy	08/10/99
				Drawn	Tina	08/10/99
				0.0 ± 0.35	0.00 ± 0.20	Angles ± 3'
					UNIT: mm	

**Central Components Manufacturing**  
440 Lincoln Blvd., Middlesex, New Jersey 08846  
Phone 732 469-5720 888 288-5152 Fax 732 469-1919

Part No.: **CMTB-HD515R-500-XX-XX**

Description: Terminal block, male, 5.00mm pitch, right-angle