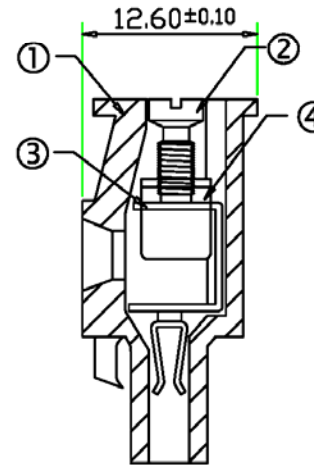
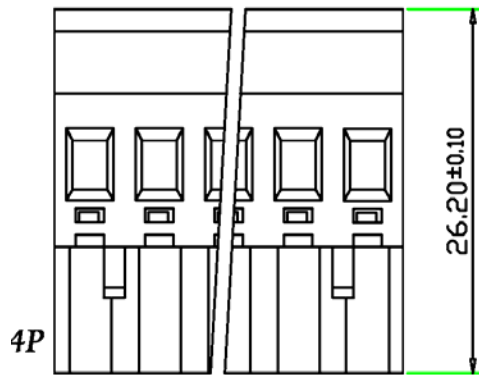
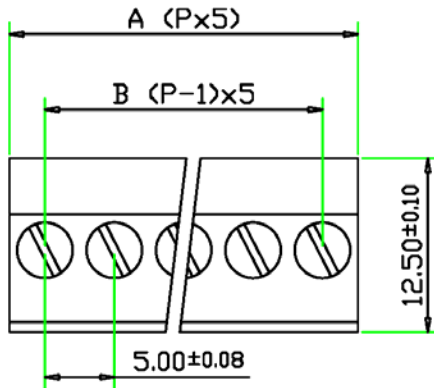


Pos.	A	B
2	10	5
3	15	10
4	20	15
5	25	20
6	30	25
7	35	30
8	40	35
9	45	40
10	50	45
11	55	50
12	60	55
13	65	60
14	70	65
15	75	70
16	80	75
17	85	80
18	90	85
19	95	90
20	100	95
21	105	100
22	110	105
23	115	110
24	120	115



**SPECIFICATIONS**

Rated: 12 Amps  
 Contact Material: Phosphor Bronze, Nickel Plated  
 Screw Material: Steel, M2.6 Nickel Plated  
 Housing Material: Polyamide 66 UL94V-0, Green  
 Insulation Resistance: 1000MΩmin  
 Terminal Material: Brass, Tin Plated  
 Screw Torque: 7 In-Lb  
 Wire Range: 12~16 AWG  
 Withstanding: AC200V min  
 Operating Temp: -55°C ~ +115°C

Series	Type	Pitch	Positions	Color
CMTB	HD515MT	XXX	XX	XX
Terminal block	Wire mount type	500=5.00mm 508=5.08mm (.200")	2-24	GN=Green

RoHS compliant

Rev.	Description	Date	Approved	Drawing	Name	Date
				Approved	Howard	08/10/99
				Checked	Lizzy	08/10/99
				Drawn	Tina	08/10/99
				0.0 ± 0.35	0.00 ± 0.20	Angles ± 3'
				UNIT: mm		

**Central Components Manufacturing**  
 440 Lincoln Blvd., Middlesex, New Jersey 08846  
 Phone 732 469-5720 888 288-5152 Fax 732 469-1919

Part No.: **CMTB-HD515MT-500-XX-GN**

Description: Wire Mount Type Terminal Block