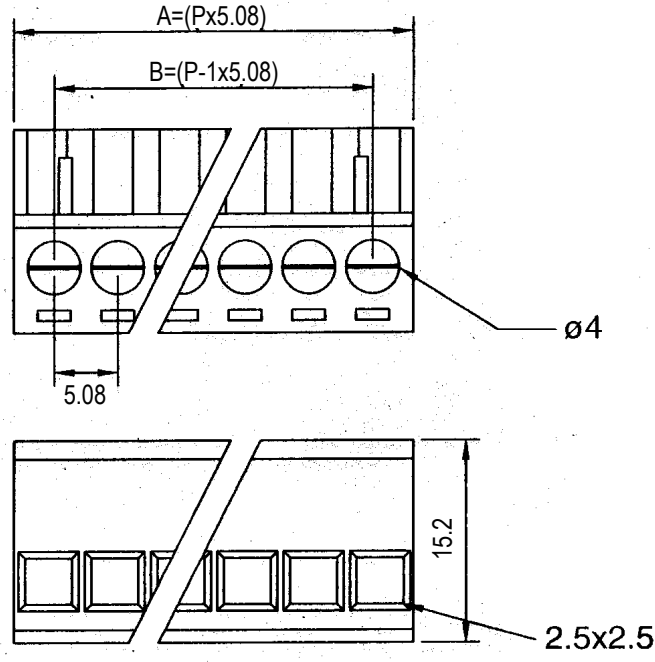
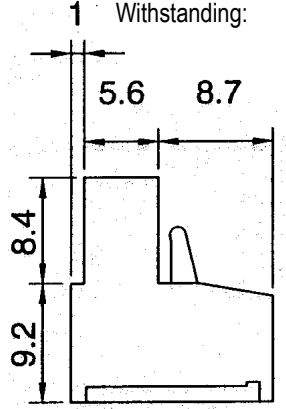


Pos.	A	B
2	10	5
3	15	10
4	20	15
5	25	20
6	30	25
7	35	30
8	40	35
9	45	40
10	50	45
11	55	50
12	60	55
13	65	60
14	70	65
15	75	70
16	80	75
17	85	80
18	90	85
19	95	90
20	100	95
21	105	100
22	110	105
23	115	110
24	120	115



SPECIFICATIONS

- Current rating: 12 amps
- Voltage rating: 250VAC
- Terminal material: Brass
- Terminal plating: Tin
- Screw material: Steel
- Screw plating: Nickel
- Material: Thermoplastic, UL94V-0
- Insulation resistance: 500 megohms min. at 500VDC
- Screws: Steel, nickel plated
- Withstanding: 2,000VAC



RoHS compliant

Series	Type	Pitch	Positions	Color
CMTB	HD515H	XXX	XX	XX
Terminal block	Wire mount type	500=5.00mm 508=5.08mm (.200")	2-24	GN=Green BK=Black

Rev.	Description	Date	Approved	Drawing	Name	Date
				Approved	Howard	08/10/99
				Checked	Lizzy	08/10/99
				Drawn	Tina	08/10/99
				0.0 ± 0.35	0.00 ± 0.20	Angles ± 3'
				UNIT: mm		

Central Components Manufacturing
 440 Lincoln Blvd., Middlesex, New Jersey 08846
 Phone 732 469-5720 888 288-5152 Fax 732 469-1919

Part No.: **CMTB-HD515H-508-XX-XX**

Description: Terminal block, female, 5.08mm pitch