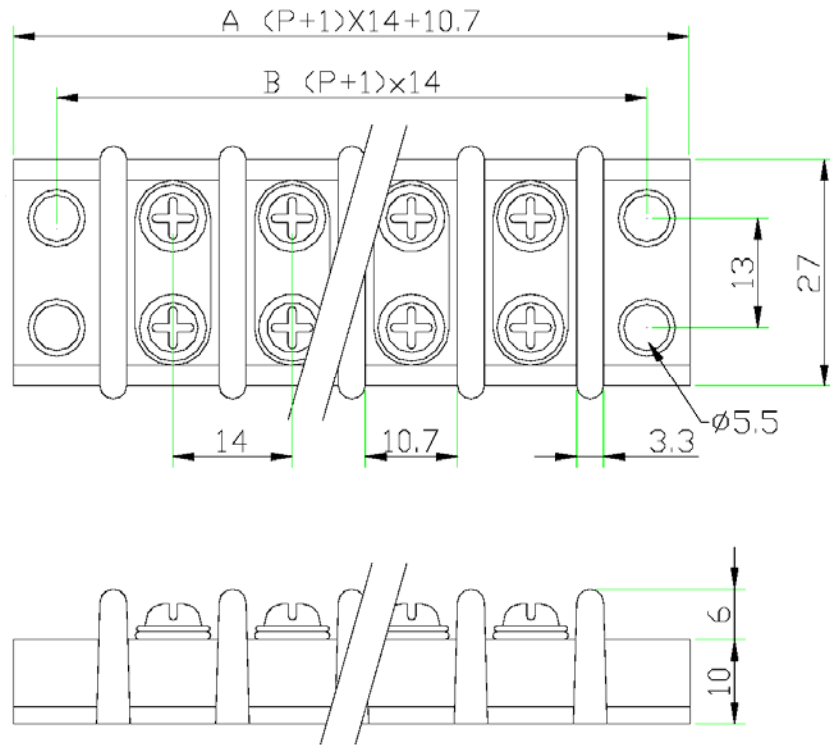


| Dimensions | | |
|------------|-------|-----|
| Pos. | A | B |
| 2 | 52.3 | 42 |
| 3 | 66.3 | 56 |
| 4 | 80.3 | 70 |
| 5 | 94.3 | 84 |
| 6 | 108.3 | 98 |
| 7 | 122.3 | 112 |
| 8 | 136.3 | 126 |
| 9 | 150.3 | 140 |
| 10 | 164.3 | 154 |
| 11 | 178.3 | 168 |
| 12 | 192.3 | 182 |
| 13 | 206.3 | 196 |
| 14 | 220.3 | 210 |
| 15 | 234.3 | 224 |
| 16 | 248.3 | 238 |
| 17 | 262.3 | 252 |
| 18 | 276.3 | 266 |
| 19 | 290.3 | 280 |
| 20 | 304.3 | 294 |
| 21 | 318.3 | 308 |
| 22 | 332.3 | 322 |
| 23 | 346.3 | 336 |
| 24 | 360.3 | 350 |



SPECIFICATIONS

Current Rating: 40A, 600V
 Screw Material: Nickel Plated Steel
 Body Material: Phenolic, Black
 Insulation Resistance: 500MΩ DC500V min.
 Withstanding: AC 2000V / MIN
 Wire Range: 10-18 STR.
 Operating Temp: -40C to +160C

| Series | Type | Pitch | Positions | Color |
|----------------|---|-------------------------------------|-----------|----------|
| CMTB | HD30AFX | XXX | XX | BK |
| Terminal Block | Barrier Strip with Mounting Flange Add "C" for Cover (19 Pos. Max) | 950=9.5mm 1100=11mm 1400=14mm | 02-24 | BK=Black |



RoHS compliant

| Rev. | Description | Date | Approved | Drawing | Name | Date |
|------|-------------|------|----------|------------|-------------|-------------|
| | | | | Approved | Howard | 08/10/99 |
| | | | | Checked | Lizzy | 08/10/99 |
| | | | | Drawn | Tina | 08/10/99 |
| | | | | 0.0 ± 0.35 | 0.00 ± 0.20 | Angles ± 3' |
| | | | | UNIT: mm | | |

Central Components Manufacturing
 440 Lincoln Blvd., Middlesex, New Jersey 08846
 Phone 732 469-5720 888 288-5152 Fax 732 469-1919

Part No.: **CMTB-HD30AFX-1400-XX-BK**

Description: Barrier strip type terminal block