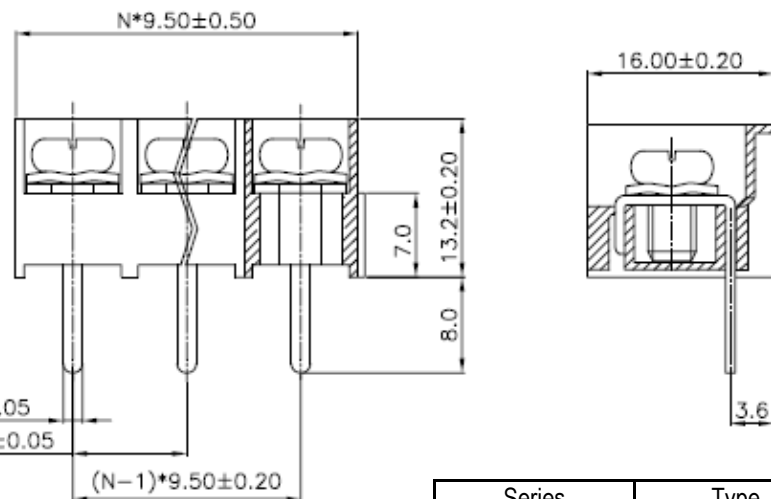


SPECIFICATIONS

Rating: 300V 20A
 Housing: PA66, UL94V-0
 Terminal: 0.8t, Tin Plated
 Screw: Steel, M4 Nickel Plated
 Withstanding: AC 2000V min
 Insulation Resistance: 500MΩ DC 500V
 Wire Range: 22-12 AWG
 Temperature Range: -40°C to +105°C



N: NUMBER OF CONTACTS

Series	Type	Pitch	Positions	Color	Plating
CMTB	HB950X	950	XX	XX	XX
Terminal Block Barrier Strip	X: Blank=Straight R=Right Angle	950=9.5mm	02-15	BK=Black (std) BL=Blue GN=Green RD=Red	Blank=Tin (std) GD=Gold ZN=Zinc

RoHS compliant

Rev.	Description	Date	Approved	Drawing	Name	Date
				Approved	Howard	08/10/99
				Checked	Lizzy	08/10/99
				Drawn	Tina	08/10/99
				0.0 ± 0.35	0.00 ± 0.20	Angles ± 3'
				UNIT: mm		

Central Components Manufacturing
 440 Lincoln Blvd., Middlesex, New Jersey 08846
 Phone 732 469-5720 888 288-5152 Fax 732 469-1919

Part No.: **CMTB-HB950-950-XX-XX-XX**

Description: Euro Terminal Block