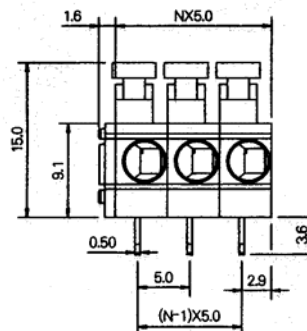
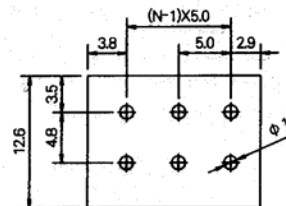
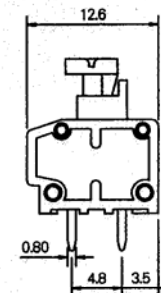
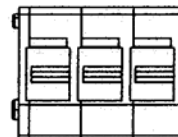


**SPECIFICATIONS**

Voltage rating: 300VAC  
 Current rating: 10 amps  
 Contact: Brass  
 Contact plating: Tin  
 Contact resistance: 20 milliohms max.  
 Housing: Polyamide glass filled, UL94V-0  
 Insulation resistance: 1,000 megohms min.  
 Spring clip: Stainless spring steel  
 Wire range: 14-20 AWG  
 Operating temp.: -10°C to +70°C



N=Number of contacts



P.C.B. LAYOUT

RoHS compliant

Rev.	Description	Date	Approved	Drawing	Name	Date
				Approved	Howard	08/10/99
				Checked	Lizzy	08/10/99
				Drawn	Tina	08/10/99
				0.0 ± 0.35	0.00 ± 0.20	Angles ± 3'
					UNIT: mm	

**Central Components Manufacturing**  
 440 Lincoln Blvd., Middlesex, New Jersey 08846  
 Phone 732 469-5720 888 288-5152 Fax 732 469-1919

Part No.: **CMTB-HB1-500-XX-GN**

Description: Screwless terminal block