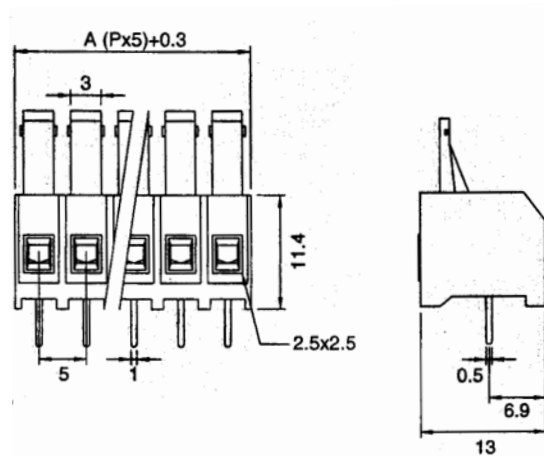


SPECIFICATIONS

Body material: Green thermoplastic, UL94V-0
 Terminal material: Brass
 Terminal plating: Tin
 Cam lever: Thermoplastic, UL94V-0
 Wire range: 22-18 AWG
 Current rating: 10 amps at 300 VAC
 Withstanding: 2,000VAC
 Insulation resistance: 500 megohms min. at 500VDC



RoHS compliant

Rev.	Description	Date	Approved	Drawing	Name	Date
				Approved	Howard	08/10/99
				Checked	Lizzy	08/10/99
				Drawn	Tina	08/10/99
				0.0 ± 0.35	0.00 ± 0.20	Angles ± 3'
				UNIT: mm		

Central Components Manufacturing
 440 Lincoln Blvd., Middlesex, New Jersey 08846
 Phone 732 469-5720 888 288-5152 Fax 732 469-1919

Part No.: **CMTB-HA522-500-03-GN**

Description: Screwless terminal block