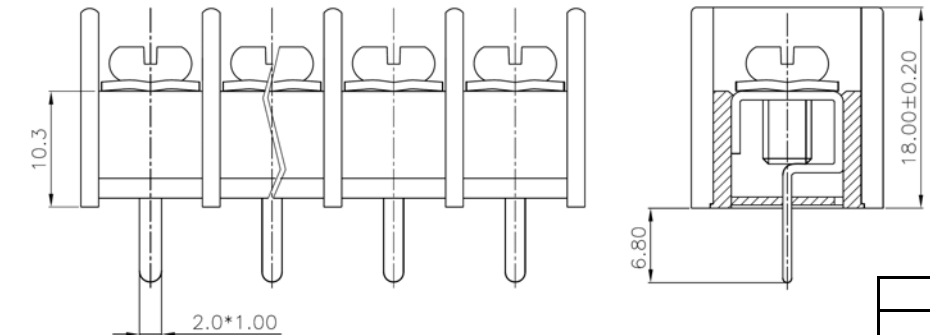


SPECIFICATIONS

Rated: 300V/ 25A
 Insulation Resistance: 500MΩ/DC500V
 Wire Range: 22~12AWG
 Max Torque: 1.2Nm 10.6LB in
 Housing: PA66, UL94V-0
 Terminal: 0.8t, Tin Plated
 Screw: Steel, M4 Ni Plated
 Withstanding: AC 2000V/ Min
 Temp Range: -40C ~ +105C



Series	Type	Pitch	Positions	Color
CMTB	F5XX	XXX	XX	XX
Terminal block	Barrier strip, thru hole mount C=Centered pin S=Side pin H=wire solder pin R=Right angle M=Add for Cover	762=7.62 825=8.25mm 850=8.50mm 950=9.50mm 1000=10.00mm 1100=11.00mm	02-25	BK=Black

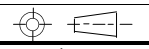
RoHS compliant

Rev.	Description	Date	Approved	Drawing	Name	Date
				Approved	Howard	06/04/07
				Checked	Lizzy	06/04/07
				Drawn	Tina	06/04/07
				0.0 ± 0.35	0.00 ± 0.20	Angles ± 3'

Central Components Manufacturing
 440 Lincoln Blvd., Middlesex, New Jersey 08846
 Phone 732 469-5720 888 288-5152 Fax 732 469-1919

Part No.: **CMTB-F5C-1100-XX-BK**

Description: Barrier strip, PCB through hole mount



UNIT: mm