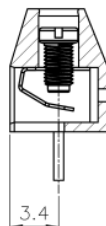
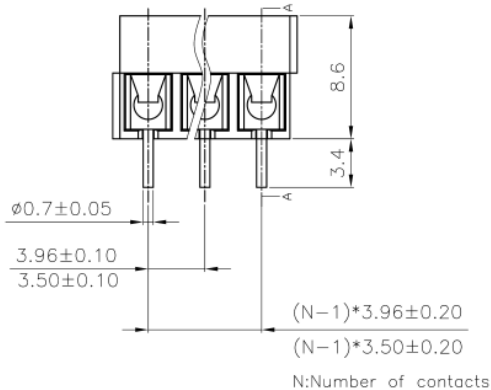
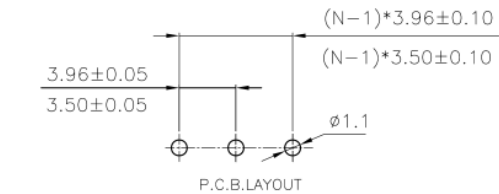


STRAIGHT TYPE



SECTION A-A



P.C.B. LAYOUT

**SPECIFICATIONS**

- Rated Voltage: 300V
- Rated Current: 10A
- Contact Resistance: 20mΩ
- Insulation Resistance: 5000MΩ/1000V
- Withstanding Voltage: AC2000V/1Min
- Wire Range: 24-18AWG 1mm<sup>2</sup>
- Screw Material: M2 Steel Zinc Plated
- Wire Guard: Phosphor Bronze Ni Platrd or Stainless Steel
- Pin Header: Brass, Tin Plated
- Housing: PA66, UL94V-0
- Temp Range: -40C ~ +105
- Soldering Temp: +250C for 5 Sec.
- Torque: 0.2Nm (1.7LB. In)
- Strip Length: 4.5-5mm

Series	Style	Pitch	Positions	Color
CMTB	F350VM	XXX	XX	XX
Terminal Block	Modular, Side Entry Top Screw	350=3.50mm 396=3.96mm	02,03,08,16	GN=Green (std) BK=Black RD=Red BL=Blue

RoHS compliant

Rev.	Description	Date	Approved	Drawing	Name	Date
				Approved	Howard	12/03/10
				Checked	Lizzy	12/03/10
				Drawn	Tina	12/03/10
				0.0 ± 0.35	0.00 ± 0.20	Angles ± 3°
				UNIT: mm		

**Central Components Manufacturing**  
 440 Lincoln Blvd., Middlesex, New Jersey 08846  
 Phone 732 469-5720 888 288-5152 Fax 732 469-1919

Part No.: **CMTB-F350VM-XXX-XX-XX**

Description: Terminal Block