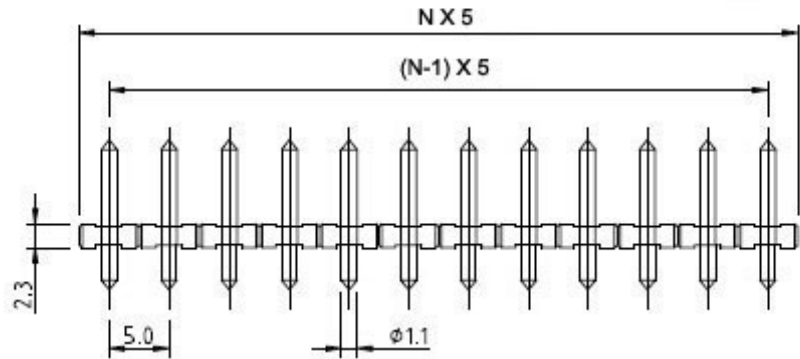




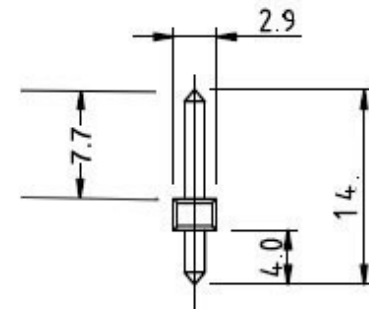
N: Number of Contacts



P.C.B. LAYOUT
(N-1) X 5

SPECIFICATIONS

Voltage Rating: 250VAC
 Current Rating: 10 Amps/way max
 Insulation Resistance: 5000MΩ / 1000V
 Withstanding: 1500VAC
 Pin: Brass Nickel and Tin Plated
 Insulator: Polyamide UL94V-0
 Retention Force: 2Kg
 Soldering Temp: 250°C @ 5 Sec.
 Operating Temp: -55°C to +105°C



Series	Type	Pitch	Positions	Color
CMTB	F332NC	XXX	XX	XX
Terminal block	Terminal Block Pin Header	500=5.00mm	02-25	BK=Black

RoHS compliant

Rev.	Description	Date	Approved	Drawing	Name	Date
				Approved	Howard	05/08/12
				Checked	Lizzy	05/08/12
				Drawn	Tina	05/08/12
				0.0 ± 0.35	0.00 ± 0.20	Angles ± 3'
				UNIT: mm		

Central Components Manufacturing
 440 Lincoln Blvd., Middlesex, New Jersey 08846
 Phone 732 469-5720 888 288-5152 Fax 732 469-1919

Part No.: **CMTB-F332NC-500-XX-BK**

Description: Pluggable Terminal Block