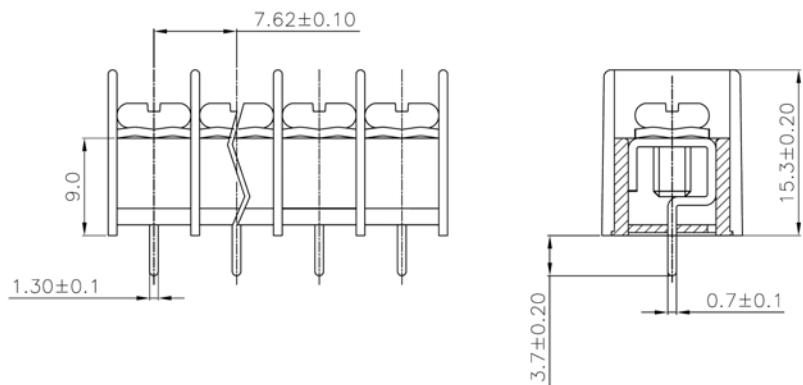


SPECIFICATIONS
 Rating: 300V/15A
 Withstanding: AC2000V/Min
 Insulation Resistance: 500MΩ/DC500V
 Wire Range: 22~14AWG
 Max Torque: 0.5Nm 4.4Lb in
 Housing: PA66, UL94V-0
 Terminal: 0.8t, Tin Plated
 Temp Range: -40C ~ +105C



Series	Type	Pitch	Positions	Color
CMTB	F2565XX	XXX	XX	BK
Terminal block	XX: C=Cover F=Flange Mount R=Right Angle S=Solder Tail P=Offset Tail	762=7.62mm 825=8.25mm 850=8.50mm 950=9.50mm 1000=10.0mm 1100=11.0mm	02-22	BK=Black

RoHS compliant

Rev.	Description	Date	Approved	Drawing	Name	Date
				Approved	Howard	06/04/07
				Checked	Lizzy	06/04/07
				Drawn	Tina	06/04/07
				0.0 ± 0.35	0.00 ± 0.20	Angles ± 3'
				UNIT: mm		

Central Components Manufacturing
 440 Lincoln Blvd., Middlesex, New Jersey 08846
 Phone 732 469-5720 888 288-5152 Fax 732 469-1919

Part No.: **CMTB-F2565-762-XX-BK**

Description: Terminal Block 7.62mm Pitch

