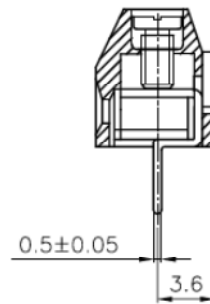
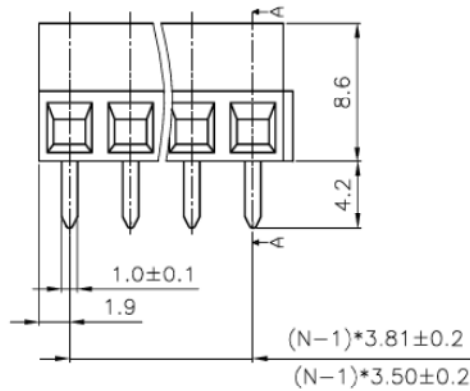


STRAIGHT TYPE



SECTION A-A

N=Number of contacts

**SPECIFICATIONS**

Current Rating:	10 A
Voltage Rating:	300 V
Contact Resistance:	20mΩ
Insulation Resist:	5000MΩ/1000V
Withstanding:	2000VAC/1 min.
Housing:	PA66 UL94V-0
Screws:	M2 Steel Zinc Plated
Torque:	0.2Nm
Wire Guard:	Phos Bronze Nickel Plated
Pins:	Brass Tin Plated
Processing Temp:	250°C/5 sec Max
Operating Temp:	-40°C to +105°C
Wire:	30--16AWG
Strip:	5-6mm

Series	Type	Pitch	Positions	Plating	Color
CMTB	F124M	XXX	XX	XX	XX
Terminal block	Modular, Side Entry, Top Screw, 8.6mm High	350=3.50mm 381=3.81mm	02, 03, 08, 16	TN=Tin GD=Gold Flash GD30=30μ Gold	GN=Green BK=Black RD=Red BL=Blue

RoHS compliant

Rev.	Description	Date	Approved	Drawing	Name	Date
				Approved	Howard	06/27/07
				Checked	Lizzy	06/27/07
				Drawn	Tina	06/27/07
				0.0 ± 0.35	0.00 ± 0.20	Angles ± 3'
				UNIT: mm		

**Central Components Manufacturing**  
 440 Lincoln Blvd., Middlesex, New Jersey 08846  
 Phone 732 469-5720 888 288-5152 Fax 732 469-1919

Part No.: **CMTB-F124M-XXX-XX-XX-XX**

Description: Modular terminal block