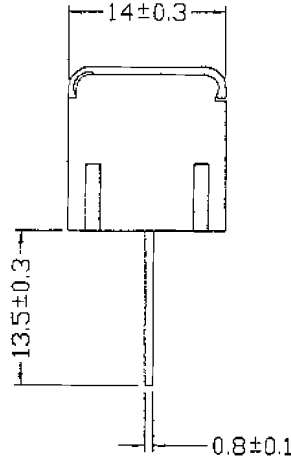
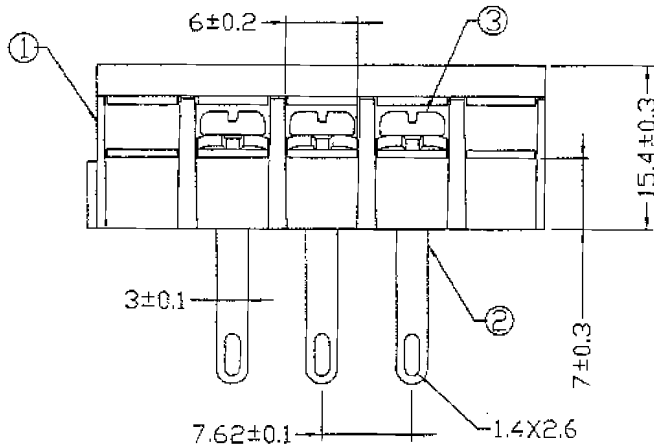
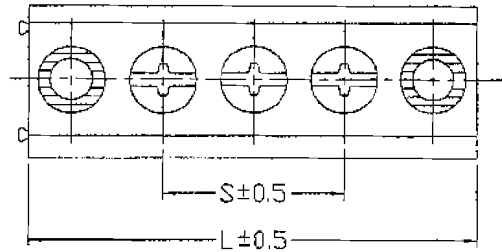


SPECIFICATIONS

Current Rating: 10Amp AC300V
 Insulation Resistance: >200MΩ DC 500V
 Wire Range: 16~22 AWG
 Screw Torque: 12 lb-inch
 Withstanding: AC 2000V
 Operating Temp: -40°C to +120°C



Dimensions mm			
Poles	A	Poles	A
2	30.50	15	129.56
3	38.12	16	137.18
4	45.74	17	144.80
5	53.36	18	152.42
6	60.98	19	160.04
7	68.60	20	167.66
8	76.22	21	175.28
9	83.84	22	182.90
10	91.46	23	190.52
11	99.08	24	198.14
12	106.70	25	205.76
13	114.32		
14	121.94		

Item	Name	Material	Finish
1	Insulating Body		Black
2	Terminal	Brass	Tin Plating
3	Screw	Steel	Ni Plated

Series	Type	Pitch	Poles	Color
CMTB	C31MAM23	762	XX	BK
Terminal block	Barrier Strip With Cover	762=7.62mm pitch	02-25 poles	BK=Black

RoHS compliant

Rev.	Description	Date	Approved	Drawing	Name	Date
				Approved	Howard	01/12/10
				Checked	Lizzy	01/12/10
				Drawn	Tina	01/12/10
				0.0 ± 0.35	0.00 ± 0.20	Angles ± 3'
				UNIT: mm		

Central Components Manufacturing
 440 Lincoln Blvd., Middlesex, New Jersey 08846
 Phone 732 469-5720 888 288-5152 Fax 732 469-1919

Part No.: **CMTB-C31MAM23-762-XX-BK**

Description: Terminal Block