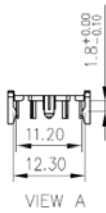
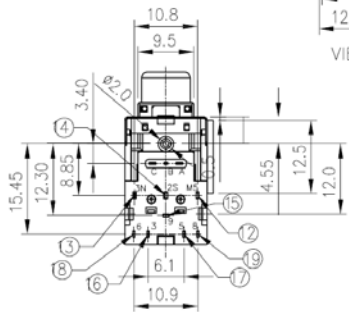
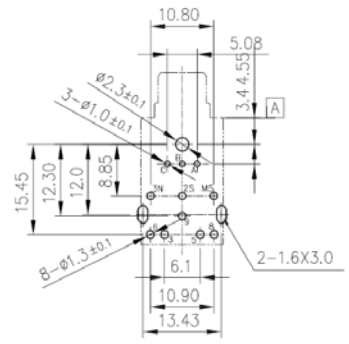
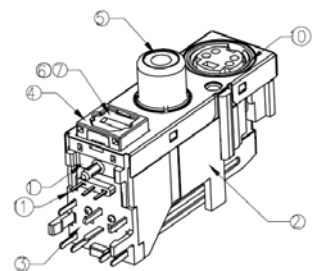
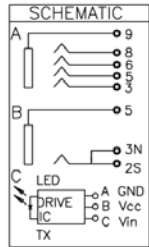
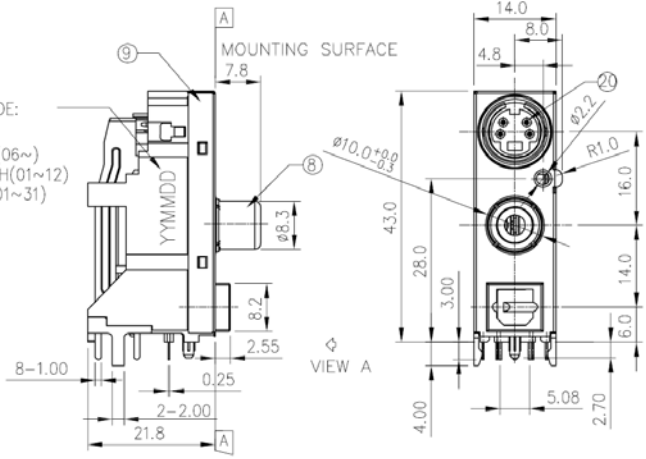


DATE CODE:
YYMMDD
YY: YEAR(06~)
MM: MONTH(01~12)
DD: DAY(01~31)



ITEM	DESCRIPTIONs	MATERIAL	FINISH	Q'TY	NOTE
20	CONTACT	COPPER ALLOY	TIN/AU	4	
19	CONTACT,8	COPPER ALLOY	TIN	1	
18	CONTACT,6	COPPER ALLOY	TIN	1	
17	CONTACT,5	COPPER ALLOY	TIN	1	
16	CONTACT,3	COPPER ALLOY	TIN	1	
15	GROUND,S2	COPPER ALLOY	TIN	1	
14	CONTACT 2S,RCA	COPPER ALLOY	TIN	1	
13	CONTACT 3N,RCA	COPPER ALLOY	TIN	1	
12	CONTACT 20,RCA	COPPER ALLOY	TIN	1	
11	DRIVE IC (TX)			1	
10	GROUND	COPPER ALLOY	NI	1	
9	SHIELD	COPPER ALLOY	NI	1	
8	BUSHING,RCA	COPPER ALLOY	NI	1	
7	SPRING,OPTO	STAINLESS STEEL		1	
6	GATE,OPTO	THERMOPLASTIC		1	
5	COLOR RING	THERMOPLASTIC		1	
4	FRAME,OPTO	THERMOPLASTIC		1	
3	BASE COVER	HIGH TEMP PLASTIC		1	
2	HOUSING	THERMOPLASTIC		1	
1	HOUSING,OPTO	HIGH TEMP PLASTIC		1	

RECOMMENDED PCB LAYOUT
<BOTTOM VIEW>
NOTE : TOLERANCE FOR PCB LAYOUT IS ± 0.05

RoHS compliant

Rev.	Description	Date	Approved	Drawing	Name	Date
				Approved	Howard	05/27/14
				Checked	Lizzy	05/27/14
				Drawn	Tina	05/27/14
				0.0 ± 0.35	0.00 ± 0.20	Angles ± 3'
				UNIT: mm		

Central Components Manufacturing
440 Lincoln Blvd., Middlesex, New Jersey 08846
Phone 732 469-5720 888 288-5152 Fax 732 469-1919

Part No.: **CMSC-4138-CMDJ04-CPRJ-0PTO**

Description: RCA+S+Opto Jack