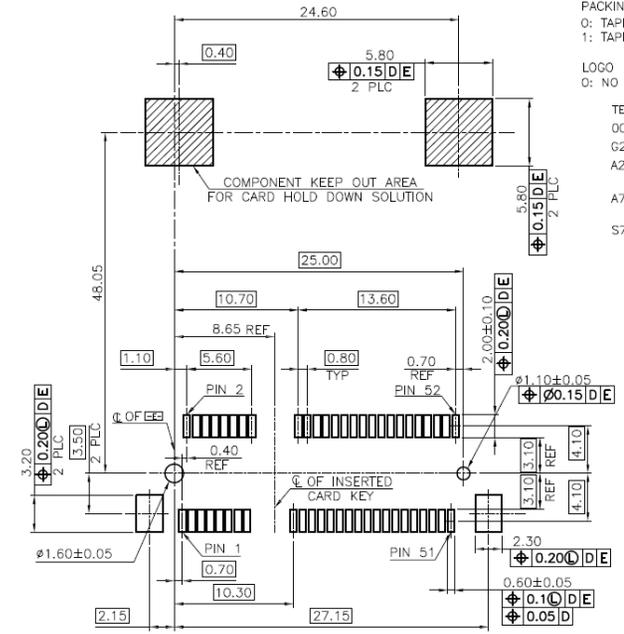
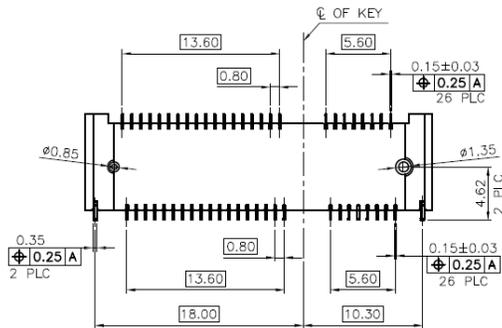
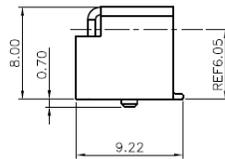
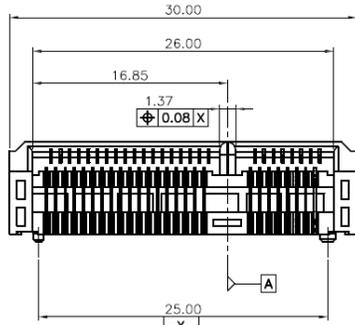


**SPECIFICATIONS**

Housing: Thermoplastic UL94V-0, Black  
 Contact: Copper Alloy  
 Peg: Copper Alloy  
 Current Rating: 0.5A 50V AC/DC  
 Contact Resistance: 55mΩ Max  
 Insulation Resistance: 500 MΩ Min at 500V DC  
 Operating Temperature: -55C ~ 80C



-D- IS THE TOP SURFACE OF PCB  
 RECOMMENDED P.C. BOARD PATTERN LAYOUT

Series	Type	Standoff	Color	Plating
CMPCI	XXXX	XX	BK	XX
Mini PCI socket	Type 199A	52=5.2mm 56=5.6 68=6.8 80=8.0 92=9.2	BK=Black	GD=Gold Flash GD10=Gold 10μ" SG10=Selective Gold 10u"

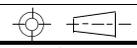
RoHS compliant

Rev.	Description	Date	Approved	Drawing	Name	Date
				Approved	Howard	05/28/14
				Checked	Lizzy	05/28/14
				Drawn	Tina	05/28/14
				0.0 ± 0.35	0.00 ± 0.20	Angles ± 3'

**Central Components Manufacturing**  
 440 Lincoln Blvd., Middlesex, New Jersey 08846  
 Phone 732 469-5720 888 288-5152 Fax 732 469-1919

Part No.: **CMPCI-655E-80-BK-XX**

Description: Mini PCI Express, 8mm standoff, 52 pin



UNIT: mm