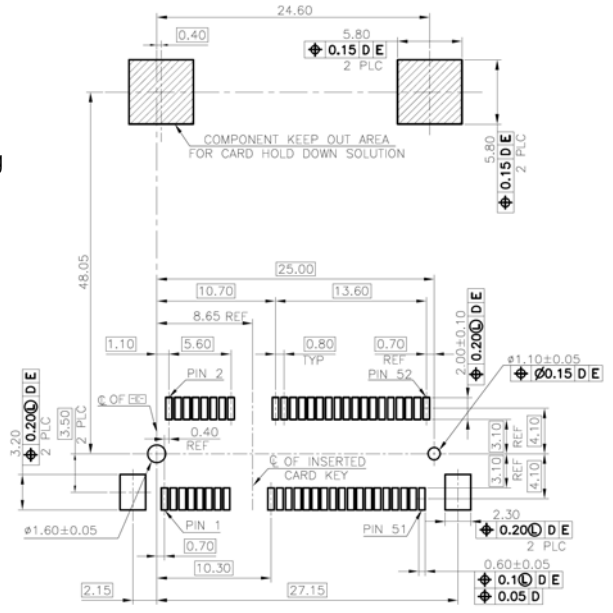
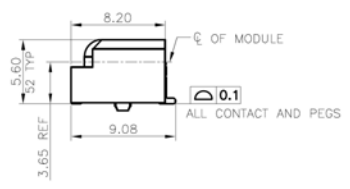
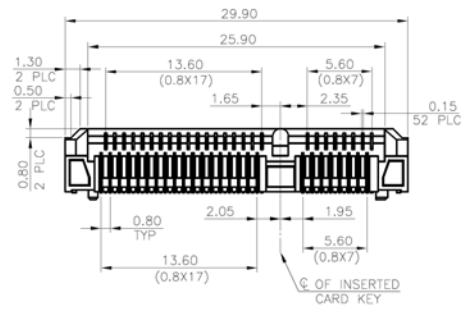
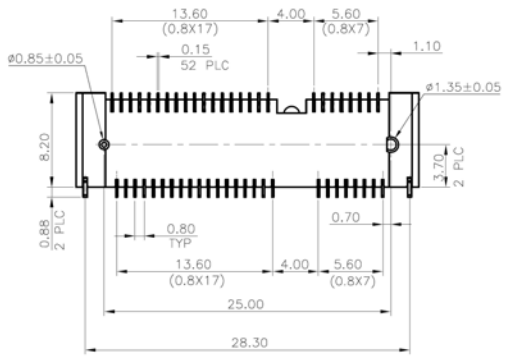


**SPECIFICATIONS**

Housing Material: High temperature plastic UL94V-0  
 Contact Material: Brass  
 Contact Area: Gold Flash, 3u" and 15u" gold plating  
 Solder: Lead Free



-D- IS THE TOP SURFACE OF PCB.  
 RECOMMENDED P.C.BOARD PATTERN LAYOUT



Series	Type	Standoff	Color	Plating
CMPCI	199A	XX	XX	XX
Mini PCI socket	Type 199A	52=5.2mm 56=5.6 68=6.8 80=8.0 92=9.2	BK=Black BG=Beige	GD=Gold Flash GD3=Gold 3μ" GD15=Gold 15μ"

**RoHS compliant**

Rev.	Description	Date	Approved	Drawing	Name	Date
				Approved	Howard	05/04/07
				Checked	Lizzy	05/04/07
				Drawn	Tina	05/04/07
				0.0 ± 0.35	0.00 ± 0.20	Angles ± 3'
				UNIT: mm		

**Central Components Manufacturing**  
 440 Lincoln Blvd., Middlesex, New Jersey 08846  
 Phone 732 469-5720 888 288-5152 Fax 732 469-1919

Part No.: **CMPCI-119A-56-XX-XX**

Description: Mini PCI Express Socket

