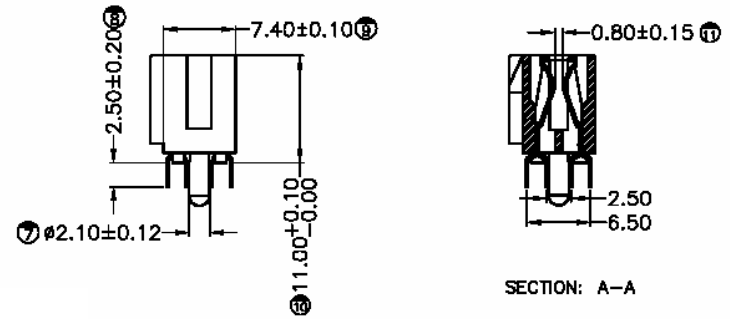


Pin	A	B	C	D
36	7.65	6.00	25.00	9.15
64	21.65	20.00	39.00	23.15
98	38.65	37.00	56.00	40.15
164	71.65	70.00	89.00	73.15



SPECIFICATIONS

- Contact plating: Tin in solder tail area; gold in mating area; all over nickel plating
- Contact resistance: 30 milliohms max.
- Insulat. resistance: 1000 megohms min.
- Housing material: Glass filled high temperature nylon, black
- Withstanding: 500VAC for 1 min.
- Operating temp.: -55°C to +85°C
- Insertion force: 0.115kg max. per contact pair
- Withdrawal force: 0.015kg min. per contact pair
- Retention force: 0.5kg min. per terminal (in housing)

Series	Type	Positions
CMPCI	100A	XX
PCI connector	Vertical with centering pins	36, 64, 98, 164

RoHS compliant

PCB LAYOUT

Rev.	Description	Date	Approved	Drawing	Name	Date
				Approved	Howard	07/11/05
				Checked	Lizzy	07/11/05
				Drawn	Tina	07/11/05
				0.0 ± 0.35	0.00 ± 0.20	Angles ± 3'
				UNIT: mm		

Central Components Manufacturing
 440 Lincoln Blvd., Middlesex, New Jersey 08846
 Phone 732 469-5720 888 288-5152 Fax 732 469-1919

Part No.: **CMPCI-100A-XX**

Description: PCI ExpressCard edge connector, PCB mount