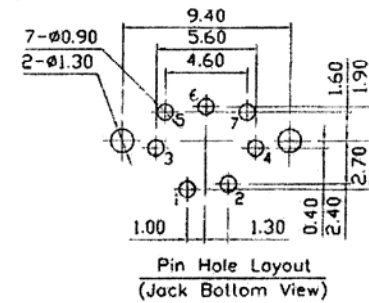
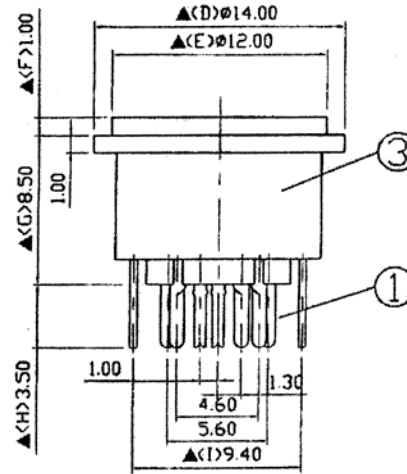
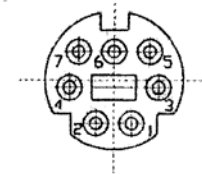
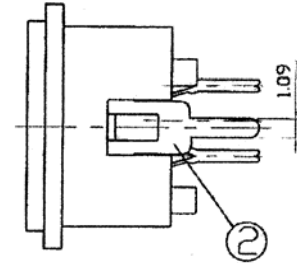
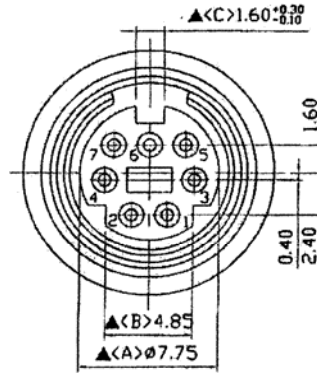


SPECIFICATIONS

Contact resistance: 30 milliohm max.
 Insulation resistance: 100 megohm min.
 Withstanding: 500 VAC/1-min.

Item	Name	Material	Finish
1	Terminal	Phosphor bronze	Silver
2	Shell	Brass	Nickel
3	Housing	PBT	Black

RoHS compliant



Rev.	Description	Date	Approved	Drawing	Name	Date
				Approved	Howard	01/16/03
				Checked	Lizzy	01/16/03
				Drawn	Tina	01/16/03
				0.0 ± 0.35	0.00 ± 0.20	Angles ± 3'
				UNIT: mm		

Central Components Manufacturing
 440 Lincoln Blvd., Middlesex, New Jersey 08846
 Phone 732 469-5720 888 288-5152 Fax 732 469-1919

Part No.: **CMDJ2-SCN570-07-B**

Description: Barrel type mini din, shielded