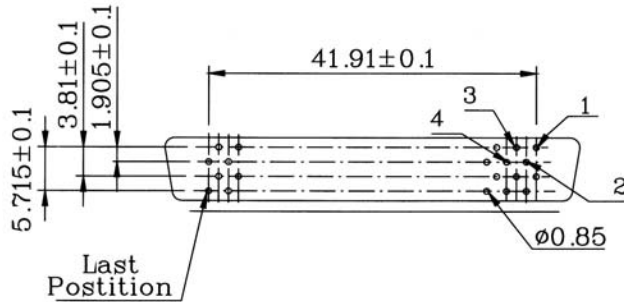
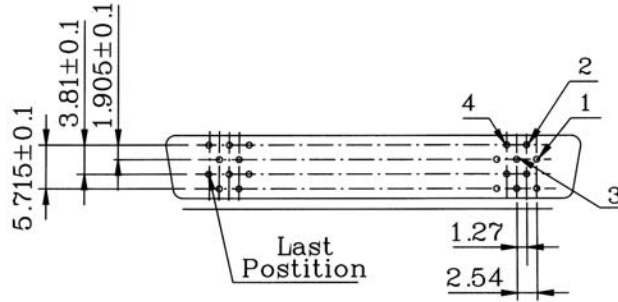


SPECIFICATIONS

Current rating: 1 amp
 Contact material: Copper alloy
 Contact plating: Selective gold
 Contact resistance: 35 milliohms max.
 Insulation resistance: 500 megohms min.
 Withstanding: 500VAC for 1 min.
 Housing material: PBT, UL94V-0, black
 Operating temperature: -55°C to +105°C



Reverse PCB LAYOUT



Standard PCB LAYOUT

Series	No. of Contacts	Gender	Housing	Contact Plating	PCB Layout
CMDD	68	X	P	SGXX	X
1.27mm SCSI header	68 positions	F=Female M=Male	P=Plastic	SG5=5µ" gold SG15=15µ" gold SG30=30µ" gold	S=Standard R=Reverse

RoHS compliant

Rev.	Description	Date	Approved	Drawing	Name	Date
A	DWG-SR, PNT	5/6/08	Greg	Approved	Howard	04/02/07
				Checked	Lizzy	04/02/07
				Drawn	Tina	04/02/07
				0.0 ± 0.35	0.00 ± 0.20	Angles ± 3'
				UNIT: mm		

Central Components Manufacturing
 440 Lincoln Blvd., Middlesex, New Jersey 08846
 Phone 732 469-5720 888 288-5152 Fax 732 469-1919

Part No.: **CMDD-68-F-P-SGXX-X**

Description: 1.27mm SCSI header, female