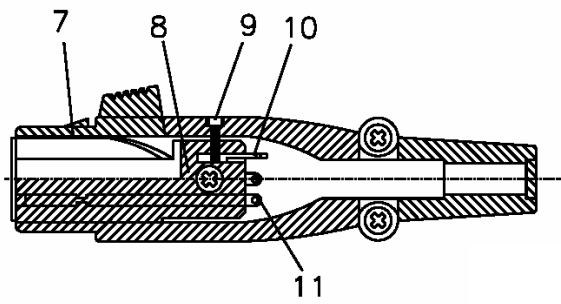
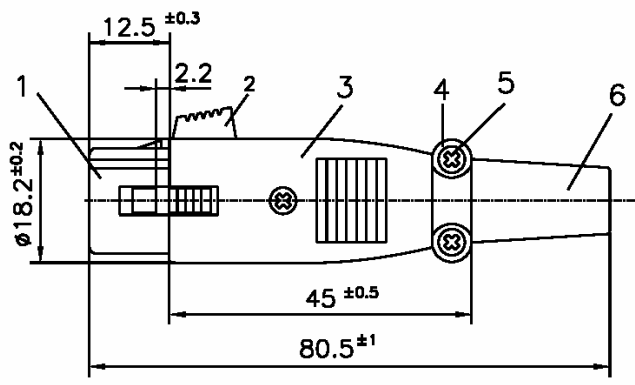
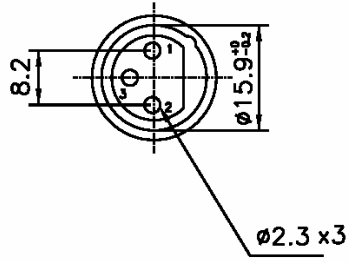


3P 4P 5P



Item	Material	Finish
1	Brass	Nickel
2	Zinc	Nickel
3	Zinc	Nickel
4	Zinc	Nickel
5	Iron	Nickel
6	PVC	Black
7	SUS	AISI-301
8	PBT	Nickel
9	Iron	Nickel
10	Brass	Nickel
11	Brass	Nickel

3P FEMALE

RoHS compliant

Rev.	Description	Date	Approved	Drawing	Name	Date
				Approved	Howard	08/10/99
				Checked	Lizzy	08/10/99
				Drawn	Tina	08/10/99
				0.0 ± 0.35	0.00 ± 0.20	Angles ± 3'
						UNIT: mm

Central Components Manufacturing
 440 Lincoln Blvd., Middlesex, New Jersey 08846
 Phone 732 469-5720 888 288-5152 Fax 732 469-1919

Part No.: **CM-8036-XXF**

Description: MIC connector