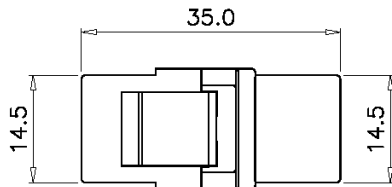
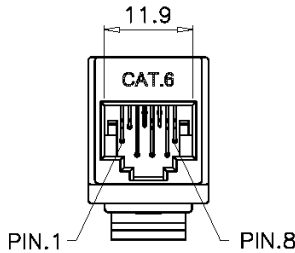
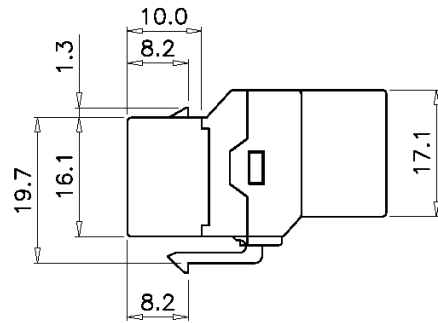


SPECIFICATIONS
 Plastic Housing Material:
 RJ45 Jack Material:
 Insertion Force:
 Retention Strength:
 Jack Durability:
 IDC:
 Operating Temperature:

ABS+PC, UL94V-0
 Phosphor Bronze, Gold over Nickel Plating
 900 gms for 8 contacts
 7.7 kgs between jack and plug
 750 cycles plug-jack mating/unmating
 Max. 200 punching times
 -40°C to +80°C



Series	Positions	Contacts	Type	Color	Plating	Options
CLC	X	XX	KJ9A	XX	XX	XX
Mini Inline Coupler	4=4 Positions 6=6 Positions 8=8 Positions	02=2 positions 04=4 positions 06=6 positions 08=8 positions	KJ9A type	BK=Black WT=White	P1=15µ" gold plate P2=30µ" gold plate P3=50µ" gold plate	[Blank]=None KY=Keyed S=Shielded 5E=CAT.5e 6=CAT.6

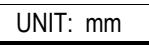
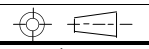
RoHS compliant

Rev.	Description	Date	Approved	Drawing	Name	Date
				Approved	Howard	08/10/99
				Checked	Lizzy	08/10/99
				Drawn	Tina	08/10/99
				0.0 ± 0.35	0.00 ± 0.20	Angles ± 3°
				UNIT: mm		

Central Components Manufacturing
 440 Lincoln Blvd., Middlesex, New Jersey 08846
 Phone 732 469-5720 888 288-5152 Fax 732 469-1919

Part No.: **CLC-8-08-KJ9A-XX-XX-6**

Description: CAT.6 mini inline coupler keystone jack, panel mount



Angles ± 3°

UNIT: mm