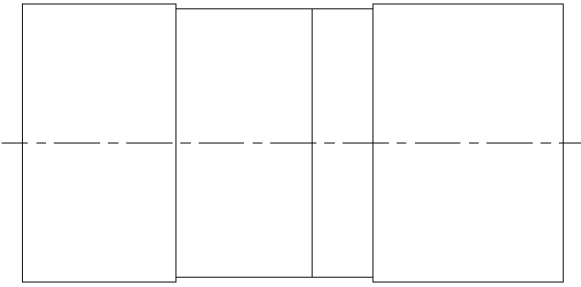
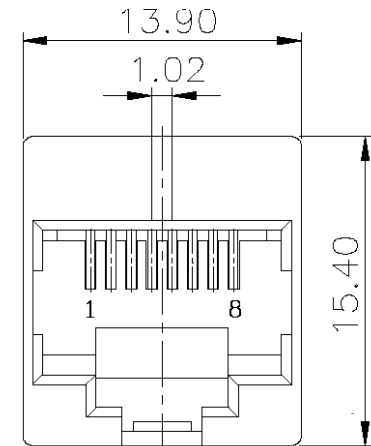
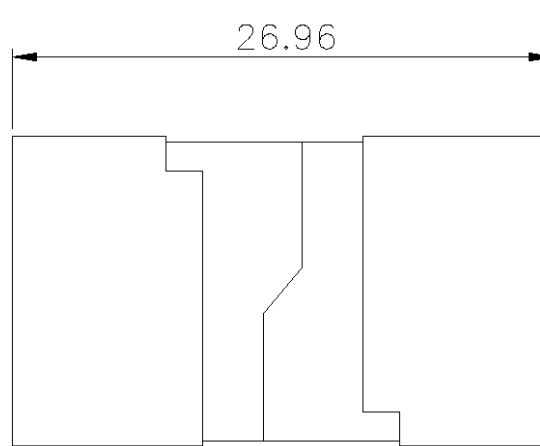
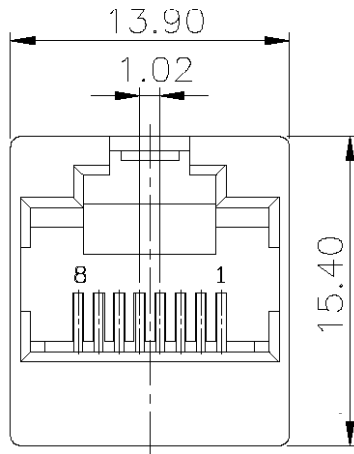


SPECIFICATIONS

Current rating: 1.5 milliamps
 Contact material: Phosphor bronze, ø0.46mm
 Contact plating: Gold
 Contact resistance: 20 milliohms max.
 Insulation resistance: 10 megohms min.
 Housing material: Engineering thermoplastic, ivory



Color	Jack 1	Jack 2
Blue	1	1
Orange	2	2
Black	3	3
Red	4	4
Green	5	5
Yellow	6	6
Brown	7	7
Gray	8	8



RoHS compliant

Series	Size	Contacts	Color	Plating	Options
CLC	X	XX	XX	XX	XX
Modular coupler	4, 6, 8	02, 04, 06, 08	BK=Black WT=White	P1=15µ" P2=30µ" P3=50µ"	[blank]=None C=Short version

Rev.	Description	Date	Approved	Drawing	Name	Date
				Approved	Howard	08/10/99
				Checked	Lizzy	08/10/99
				Drawn	Tina	08/10/99
				0.0 ± 0.35	0.00 ± 0.20	Angles ± 3'
				UNIT: mm		

Central Components Manufacturing
 440 Lincoln Blvd., Middlesex, New Jersey 08846
 Phone 732 469-5720 888 288-5152 Fax 732 469-1919

Part No.: **CLC-8-08-BK-XX-C**

Description: Modular coupler, 8P8C, short version

