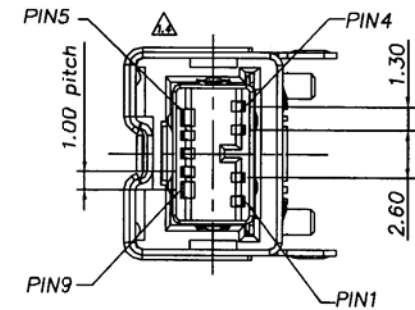
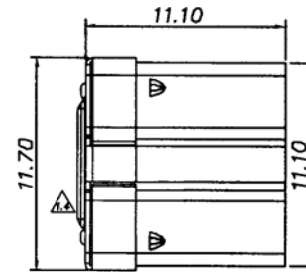
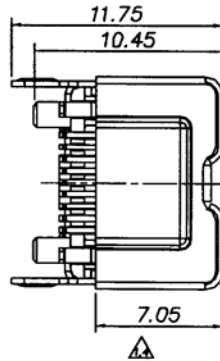
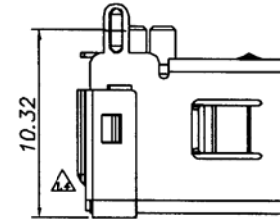
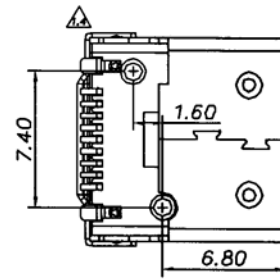
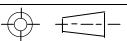


**SPECIFICATIONS**

Voltage rating: 30 volts  
 Current rating: 1.5 amps  
 Contact material: C5210R-H  
 Contact resistance: 50 milliohms max.  
 Housing material: PA 6T, 15% glass fiber, UL94V-0  
 Shell material: Brass  
 Insulation resistance: 100 megohms min.  
 Withstanding: 1000VDC  
 Operating temperature: -40°C to 85°C



RoHS compliant

Rev.	Description	Date	Approved	Drawing	Name	Date
				Approved	Howard	09/20/02
				Checked	Lizzy	09/20/02
				Drawn	Tina	09/20/02
				0.0 ± 0.35	0.00 ± 0.20	Angles ± 3'
				 UNIT: mm		

**Central Components Manufacturing**  
 440 Lincoln Blvd., Middlesex, New Jersey 08846  
 Phone 732 469-5720 888 288-5152 Fax 732 469-1919

Part No.: **CHSR-BDXXX**

Description: 1394b bilingual socket connector, DIP, single lug