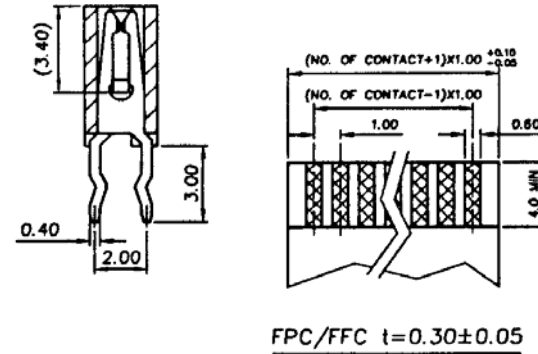
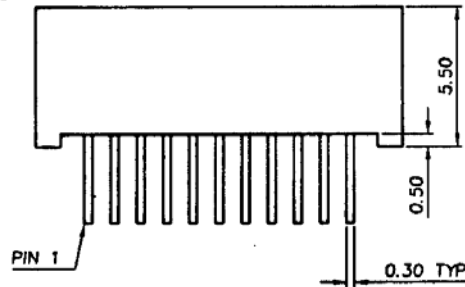
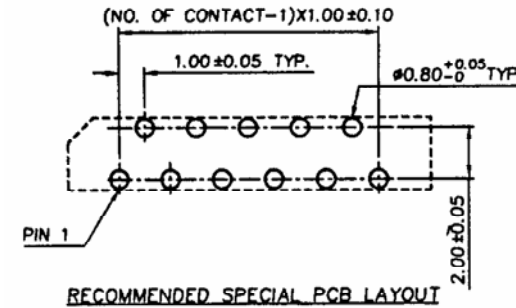
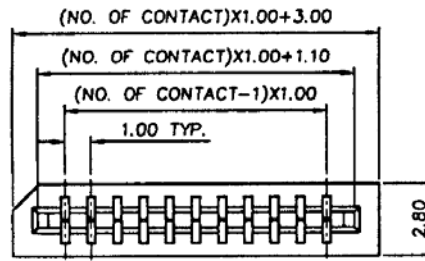
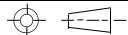


SPECIFICATIONS

Current rating: 0.5 amps
 Housing material: High temperature thermoplastic, UL94V-0
 Contact material: Copper alloy
 Contact plating: Tin over nickel
 Contact resistance: 100 megohms min.
 Withstanding: 500 VAC min.
 Operating temperature: -20°C to 85°C



RoHS compliant

Rev.	Description	Date	Approved	Drawing	Name	Date
				Approved	Howard	08/10/01
				Checked	Lizzy	08/10/01
				Drawn	Tina	08/10/01
				0.0 ± 0.35	0.00 ± 0.20	Angles ± 3'
				 UNIT: mm		

Central Components Manufacturing
 440 Lincoln Blvd., Middlesex, New Jersey 08846
 Phone 732 469-5720 888 288-5152 Fax 732 469-1919

Part No.: **CFPC-D-XX-TN**

Description: FPC connector 1.0mm, non ZIF type, through hole, top entry, special PCB layout