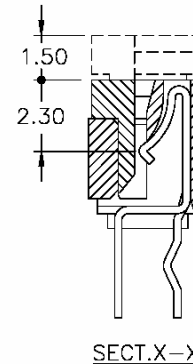
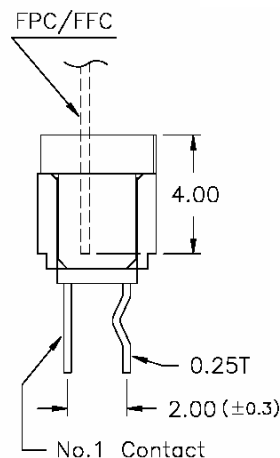
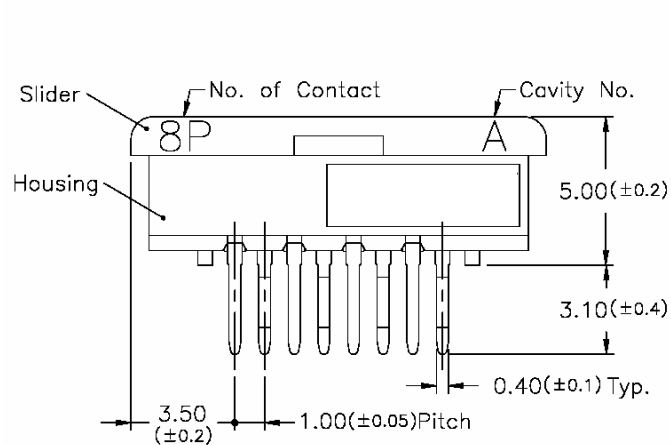


SPECIFICATIONS

Operating voltage: 50 volts
 Current rating: 0.5 amps
 Contact material: Copper alloy
 Contact plating: Tin or gold over nickel
 Contact resistance: 30 milliohms max.
 Insulation resistance: 500 megohms min.
 Housing material: Glass-filled Nylon 46, UL94V-0
 Withstanding: 500VAC rms for 1 min.
 Operating temperature: -55°C to +85°C



Series	Pitch	Type	Contacts	Style	Plating	Options
CFPC	100	S106	XX	V	TN	XX
CFPC connecto	100=1.00mm 030=0.30mm 050=0.50mm 125=1.25mm	S106 type	4-32 (See table, p. 2)	R=Right angle V=Vertical U=Upper contacts B=Bottom contacts	TN=Tin over nickel	[blank]=None TR=Tape & reel TB=Tube

RoHS compliant

Rev.	Description	Date	Approved	Drawing	Name	Date
				Approved	Howard	06/08/04
				Checked	Lizzy	06/08/04
				Drawn	Tina	06/08/04
				0.0 ± 0.35	0.00 ± 0.20	Angles ± 3'
				UNIT: mm		

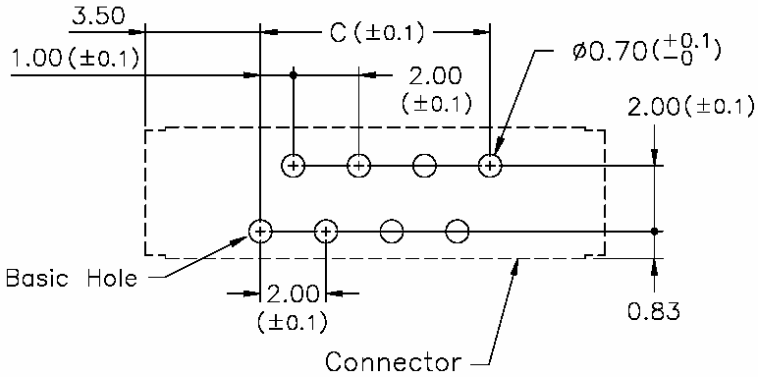
Central Components Manufacturing
 440 Lincoln Blvd., Middlesex, New Jersey 08846
 Phone 732 469-5720 888 288-5152 Fax 732 469-1919

Part No.: **CFPC-100-S106-XX-V-TN-XX**

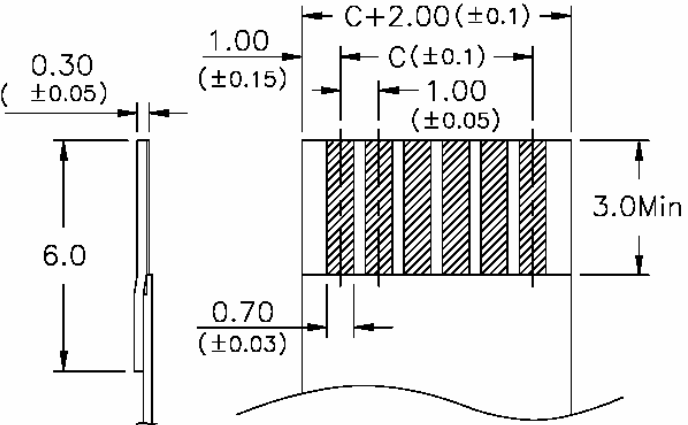
Description: FPC connector, 1.00mm pitch, ZIF type, straight DIP

PCB Layout

Dimensions							
Pos.	A	B	C	Pos.	A	B	C
4	10.00	5.20	3.00	19	25.00	20.20	18.00
5	11.00	6.20	4.00	20	26.00	21.20	19.00
6	12.00	7.20	5.00	21	27.00	22.20	20.00
7	13.00	8.20	6.00	22	28.00	23.20	21.00
8	14.00	9.20	7.00	23	29.00	24.20	22.00
9	15.00	10.20	8.00	24	30.00	25.20	23.00
10	16.00	11.20	9.00	25	31.00	26.20	24.00
11	17.00	12.20	10.00	26	32.00	27.20	25.00
12	18.00	13.20	11.00	27	33.00	28.20	26.00
13	19.00	14.20	12.00	28	34.00	29.20	27.00
14	20.00	15.20	13.00	29	35.00	30.20	28.00
15	21.00	16.20	14.00	30	36.00	31.20	29.00
16	22.00	17.20	15.00	31	37.00	32.20	30.00
17	23.00	18.20	16.00	32	38.00	33.20	31.00
18	24.00	19.20	17.00				



Applicable FPC



RoHS compliant

Rev.	Description	Date	Approved	Drawing	Name	Date
				Approved	Howard	06/08/04
				Checked	Lizzy	06/08/04
				Drawn	Tina	06/08/04
				0.0 ± 0.35	0.00 ± 0.20	Angles ± 3'
				UNIT: mm		

Central Components Manufacturing
 440 Lincoln Blvd., Middlesex, New Jersey 08846
 Phone 732 469-5720 888 288-5152 Fax 732 469-1919

Part No.: **CFPC-100-S106-XX-V-TN-XX**

Description: FPC connector, 1.00mm pitch, ZIF type, straight DIP