

PCB Layout

FPC/FFC INSERT DIRECTION

- SPECIFICATIONS**
- Operating voltage: 50 volts
 - Current rating: 0.4 amps
 - Contact material: Copper alloy
 - Contact plating: Tin or gold over nickel
 - Solder pad material: Copper alloy
 - Solder pad plating: Tin over nickel
 - Housing material: Thermoplastic
 - Slider material: Thermoplastic
 - Operating temperature: -55°C to +85°C

RoHS compliant

| Series | Pitch | Type | Contacts | Style | Plating | Options |
|---------------|--|---------------|------------------------|--|--|---|
| CFPC | 050 | S114 | XX | RB | XX | XX |
| FPC connector | 050=0.50mm 030=0.30mm 100=1.00mm 125=1.25mm | S114 ZIF type | 4-50 (See table, p. 2) | R=Right angle V=Vertical U=Upper contacts B=Bottom contacts | TN=Tin over nickel GD1=Gold 1μ" over nickel GD3=Gold 3μ" over nickel | [blank]=None TR=Tape & reel TB=Tube |

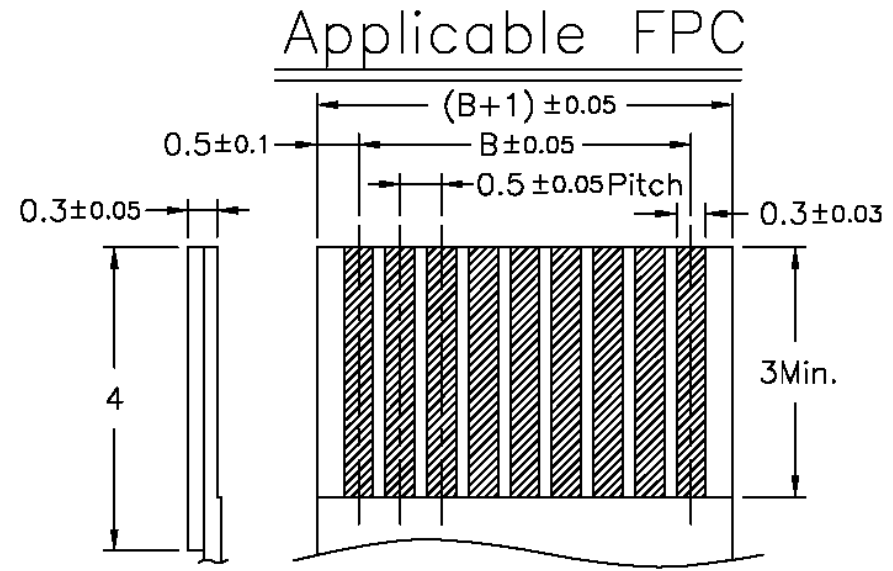
| Rev. | Description | Date | Approved | Drawing | Name | Date |
|------|-------------|------|----------|------------|-------------|-------------|
| | | | | Approved | Howard | 10/09/03 |
| | | | | Checked | Lizzy | 10/09/03 |
| | | | | Drawn | Tina | 10/09/03 |
| | | | | 0.0 ± 0.35 | 0.00 ± 0.20 | Angles ± 3' |
| | | | | UNIT: mm | | |

Central Components Manufacturing
 440 Lincoln Blvd., Middlesex, New Jersey 08846
 Phone 732 469-5720 888 288-5152 Fax 732 469-1919

Part No.: **CFPC-050-S114-XX-RB-XX-XX**

Description: FPC connector, 0.50mm pitch, ZIF type, right-angle SMT, lower contact type

| Dimensions | | | | | | | | | |
|------------|-------|------|------|------|------|-------|------|------|------|
| Pos. | A | B | C | D | Pos. | A | B | C | D |
| 4 | 6.75 | 1.5 | 8.0 | 2.6 | 28 | 18.75 | 13.5 | 20.0 | 14.6 |
| 5 | 7.25 | 2.0 | 8.5 | 3.1 | 29 | 19.25 | 14.0 | 20.5 | 15.1 |
| 6 | 7.75 | 2.5 | 9.0 | 3.6 | 30 | 19.75 | 14.5 | 21.0 | 15.6 |
| 7 | 8.25 | 3.0 | 9.5 | 4.1 | 31 | 20.25 | 15.0 | 21.5 | 16.1 |
| 8 | 8.75 | 3.5 | 10.0 | 4.6 | 32 | 20.75 | 15.5 | 22.0 | 16.6 |
| 9 | 9.25 | 4.0 | 10.5 | 5.1 | 33 | 21.25 | 16.0 | 22.5 | 17.1 |
| 10 | 9.75 | 4.5 | 11.0 | 5.6 | 34 | 21.75 | 16.5 | 23.0 | 17.6 |
| 11 | 10.25 | 5.0 | 11.5 | 6.1 | 35 | 22.25 | 17.0 | 23.5 | 18.1 |
| 12 | 10.75 | 5.5 | 12.0 | 6.6 | 36 | 22.75 | 17.5 | 24.0 | 18.6 |
| 13 | 11.25 | 6.0 | 12.5 | 7.1 | 37 | 23.25 | 18.0 | 24.5 | 19.1 |
| 14 | 11.75 | 6.5 | 13.0 | 7.6 | 38 | 23.75 | 18.5 | 25.0 | 19.6 |
| 15 | 12.25 | 7.0 | 13.5 | 8.1 | 39 | 24.25 | 19.0 | 25.5 | 20.1 |
| 16 | 12.75 | 7.5 | 14.0 | 8.6 | 40 | 24.75 | 19.5 | 26.0 | 20.6 |
| 17 | 13.25 | 8.0 | 14.5 | 9.1 | 41 | 25.25 | 20.0 | 26.5 | 21.1 |
| 18 | 13.75 | 8.5 | 15.0 | 9.6 | 42 | 25.75 | 20.5 | 27.0 | 21.6 |
| 19 | 14.25 | 9.0 | 15.5 | 10.1 | 43 | 26.25 | 21.0 | 27.5 | 22.1 |
| 20 | 14.75 | 9.5 | 16.0 | 10.6 | 44 | 26.75 | 21.5 | 28.0 | 22.6 |
| 21 | 15.25 | 10.0 | 16.5 | 11.1 | 45 | 27.25 | 22.0 | 28.5 | 23.1 |
| 22 | 15.75 | 10.5 | 17.0 | 11.6 | 46 | 27.75 | 22.5 | 29.0 | 23.6 |
| 23 | 16.25 | 11.0 | 17.5 | 12.1 | 47 | 28.25 | 23.0 | 29.5 | 24.1 |
| 24 | 16.75 | 11.5 | 18.0 | 12.6 | 48 | 28.75 | 23.5 | 30.0 | 24.6 |
| 25 | 17.25 | 12.0 | 18.5 | 13.1 | 49 | 29.25 | 24.0 | 30.5 | 25.1 |
| 26 | 17.75 | 12.5 | 19.0 | 13.6 | 50 | 29.75 | 24.5 | 31.0 | 25.6 |
| 27 | 18.25 | 13.0 | 19.5 | 14.1 | | | | | |



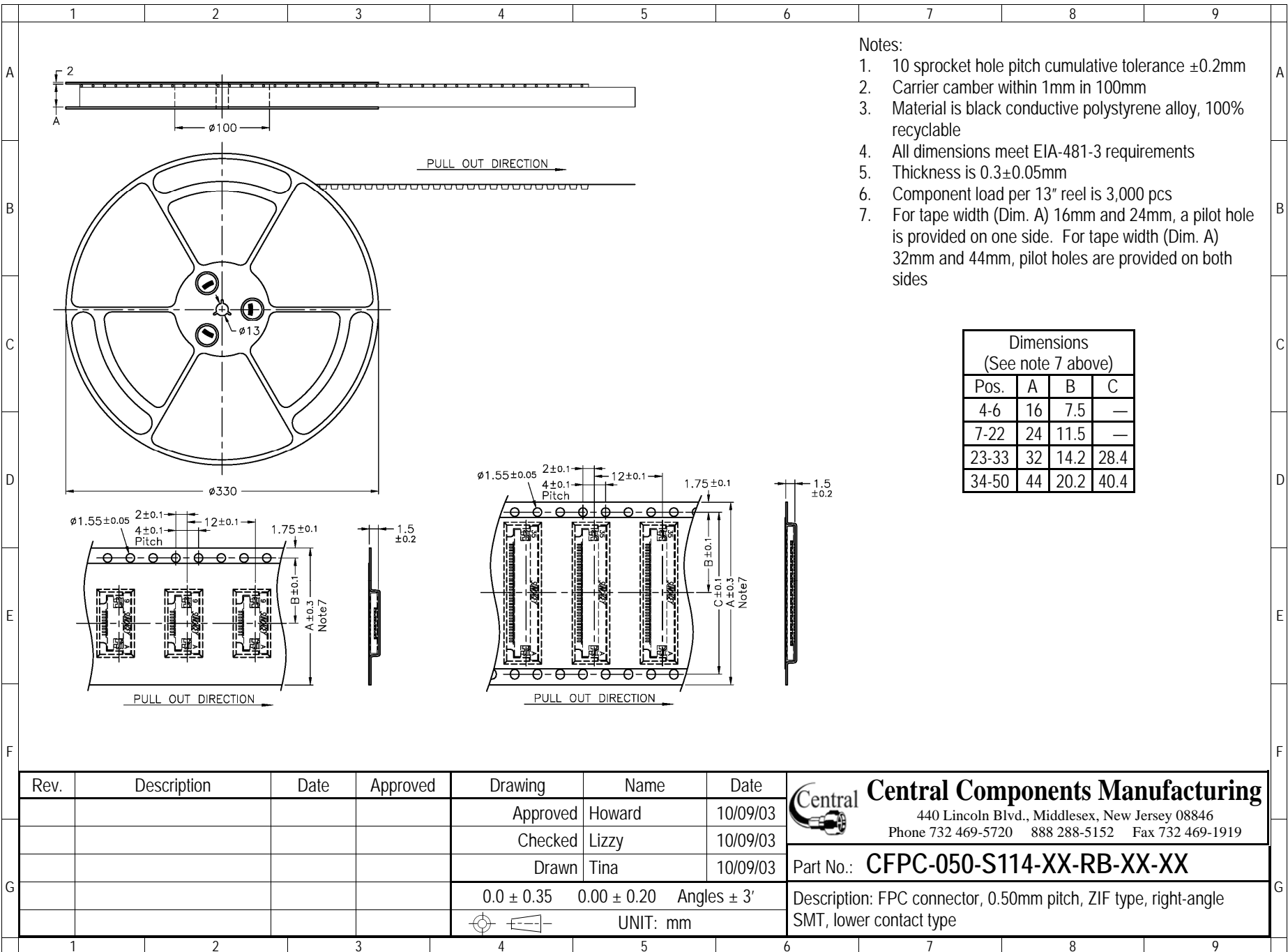
RoHS compliant

| Rev. | Description | Date | Approved | Drawing | Name | Date |
|------|-------------|------|----------|------------|-------------|-------------|
| | | | | Approved | Howard | 10/09/03 |
| | | | | Checked | Lizzy | 10/09/03 |
| | | | | Drawn | Tina | 10/09/03 |
| | | | | 0.0 ± 0.35 | 0.00 ± 0.20 | Angles ± 3' |
| | | | | | UNIT: mm | |

Central Components Manufacturing
440 Lincoln Blvd., Middlesex, New Jersey 08846
Phone 732 469-5720 888 288-5152 Fax 732 469-1919

Part No.: **CFPC-050-S114-XX-RB-XX-XX**

Description: FPC connector, 0.50mm pitch, ZIF type, right-angle SMT, lower contact type



Notes:

1. 10 sprocket hole pitch cumulative tolerance $\pm 0.2\text{mm}$
2. Carrier camber within 1mm in 100mm
3. Material is black conductive polystyrene alloy, 100% recyclable
4. All dimensions meet EIA-481-3 requirements
5. Thickness is $0.3 \pm 0.05\text{mm}$
6. Component load per 13" reel is 3,000 pcs
7. For tape width (Dim. A) 16mm and 24mm, a pilot hole is provided on one side. For tape width (Dim. A) 32mm and 44mm, pilot holes are provided on both sides

| Dimensions (See note 7 above) | | | |
|----------------------------------|----|------|------|
| Pos. | A | B | C |
| 4-6 | 16 | 7.5 | — |
| 7-22 | 24 | 11.5 | — |
| 23-33 | 32 | 14.2 | 28.4 |
| 34-50 | 44 | 20.2 | 40.4 |

| Rev. | Description | Date | Approved | Drawing | Name | Date |
|------|-------------|------|----------|----------------|-----------------|-----------------|
| | | | | Approved | Howard | 10/09/03 |
| | | | | Checked | Lizzy | 10/09/03 |
| | | | | Drawn | Tina | 10/09/03 |
| | | | | 0.0 \pm 0.35 | 0.00 \pm 0.20 | Angles \pm 3' |
| | | | | UNIT: mm | | |
| | | | | | | |

Central Components Manufacturing
 440 Lincoln Blvd., Middlesex, New Jersey 08846
 Phone 732 469-5720 888 288-5152 Fax 732 469-1919

Part No.: **CFPC-050-S114-XX-RB-XX-XX**

Description: FPC connector, 0.50mm pitch, ZIF type, right-angle SMT, lower contact type