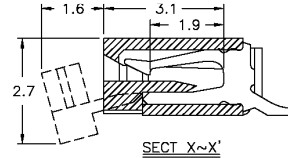
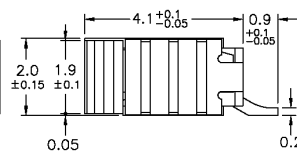
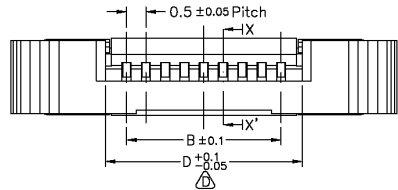
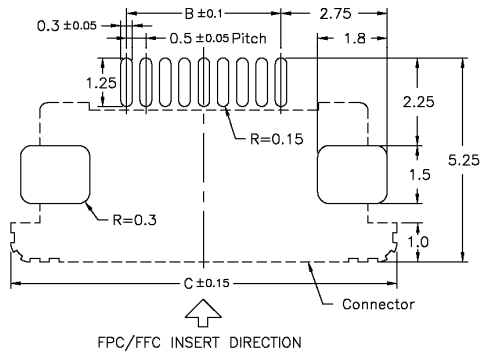


SPECIFICATIONS
 Operating voltage: 50 volts
 Current rating: 0.4 amps
 Contact material: Phosphor bronze
 Contact plating: Tin over nickel
 Housing material: Thermoplastic
 Withstanding: 200Vrms
 Operating temperature: -55°C to +85°C

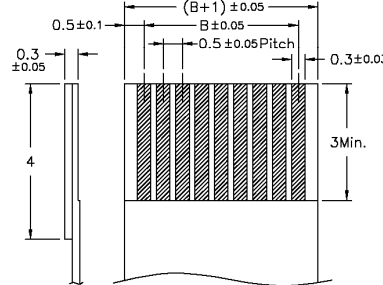
Dimensions									
Pos.	A	B	C	D	Pos.	A	B	C	D
4	6.0	1.5	7.5	2.6	28	18.0	13.5	19.5	14.6
5	6.5	2.0	8.0	3.1	29	18.5	14.0	20.0	15.1
6	7.0	2.5	8.5	3.6	30	19.0	14.5	20.5	15.6
7	7.5	3.0	9.0	4.1	31	19.5	15.0	21.0	16.1
8	8.0	3.5	9.5	4.6	32	20.0	15.5	21.5	16.6
9	8.5	4.0	10.0	5.1	33	20.5	16.0	22.0	17.1
10	9.0	4.5	10.5	5.6	34	21.0	16.5	22.5	17.6
11	9.5	5.0	11.0	6.1	35	21.5	17.0	23.0	18.1
12	10.0	5.5	11.5	6.6	36	22.0	17.5	23.5	18.6
13	10.5	6.0	12.0	7.1	37	22.5	18.0	24.0	19.1
14	11.0	6.5	12.5	7.6	38	23.0	18.5	24.5	19.6
15	11.5	7.0	13.0	8.1	39	23.5	19.0	25.0	20.1
16	12.0	7.5	13.5	8.6	40	24.0	19.5	25.5	20.6
17	12.5	8.0	14.0	9.1	41	24.5	20.0	26.0	21.1
18	13.0	8.5	14.5	9.6	42	25.0	20.5	26.5	21.6
19	13.5	9.0	15.0	10.1	43	25.5	21.0	27.0	22.1
20	14.0	9.5	15.5	10.6	44	26.0	21.5	27.5	22.6
21	14.5	10.0	16.0	11.1	45	26.5	22.0	28.0	23.1
22	15.0	10.5	16.5	11.6	46	27.0	22.5	28.5	23.6
23	15.5	11.0	17.0	12.1	47	27.5	23.0	29.0	24.1
24	16.0	11.5	17.5	12.6	48	28.0	23.5	29.5	24.6
25	16.5	12.0	18.0	13.1	49	28.5	24.0	30.0	25.1
26	17.0	12.5	18.5	13.6	50	29.0	24.5	30.5	25.6
27	17.5	13.0	19.0	14.1					



PCB Layout



Applicable FPC



Series	Pitch	Type	Contacts	Style	Plating	Options
CFPC	050	S112	XX	RU	TN	XX
FPC connector	050=0.50mm 030=0.30mm 100=1.00mm 125=1.25mm	S112 ZIF type	4-50 (See table, p. 2)	R=Right angle V=Vertical U=Upper contacts B=Bottom contacts	TN=Tin over nickel GD1=1u" Gold GD3=3u" Gold	[blank]=None TR=Tape & reel TB=Tube

RoHS compliant

Rev.	Description	Date	Approved	Drawing	Name	Date
				Approved	Howard	07/24/98
				Checked	Lizzy	07/24/98
				Drawn	Tina	07/24/98
				0.0 ± 0.35	0.00 ± 0.20	Angles ± 3'
				UNIT: mm		

Central Components Manufacturing
 440 Lincoln Blvd., Middlesex, New Jersey 08846
 Phone 732 469-5720 888 288-5152 Fax 732 469-1919

Part No.: **CFPC-050-S112-XX-RU-TN-XX**

Description: FPC connector, 0.50mm pitch, ZIF type, right-angle SMT, upper contact type