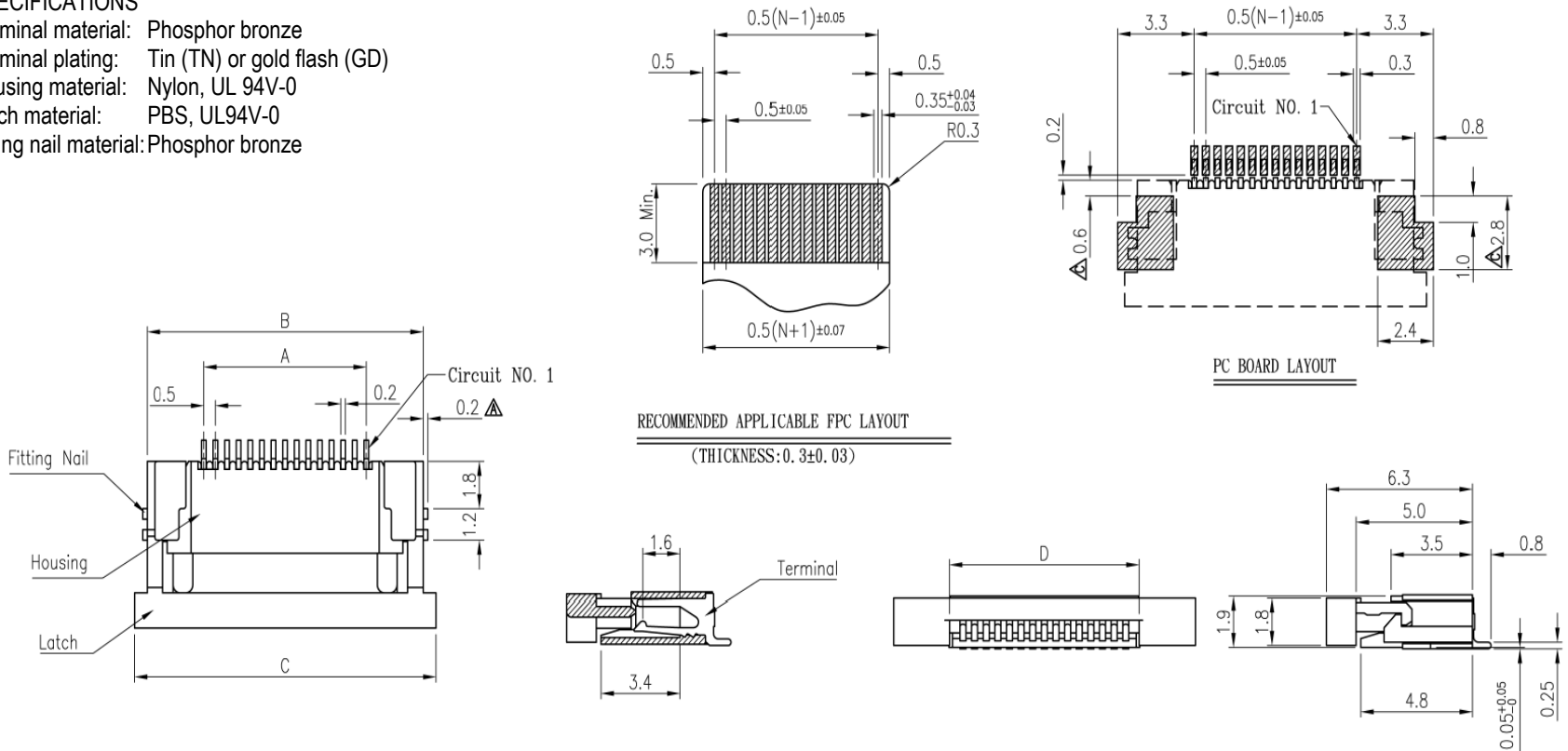


SPECIFICATIONS

Terminal material: Phosphor bronze
 Terminal plating: Tin (TN) or gold flash (GD)
 Housing material: Nylon, UL 94V-0
 Latch material: PBS, UL94V-0
 Fitting nail material: Phosphor bronze



RECOMMENDED APPLICABLE FPC LAYOUT
 (THICKNESS: 0.3 ± 0.03)

Series	Pitch	Type	Contacts	Style	Plating	Options
CFPC	050	B87152	XX	RB	XX	XX
FPC connector	050=0.50mm 030=0.30mm 100=1.00mm 125=1.25mm	B87152 type	04 to 40	R=Right angle V=Vertical U=Upper contacts B=Bottom contacts	TN=Tin over nickel GD1=Gold 1μ" over nickel GD3=Gold 3μ" over nickel	[blank]=None TR=Tape & reel pkg TB=Tube pkg

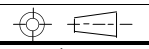
RoHS compliant

Rev.	Description	Date	Approved	Drawing	Name	Date
				Approved	Howard	08/10/99
				Checked	Lizzy	08/10/99
				Drawn	Tina	08/10/99
				0.0 ± 0.35	0.00 ± 0.20	Angles ± 3'

Central Components Manufacturing
 440 Lincoln Blvd., Middlesex, New Jersey 08846
 Phone 732 469-5720 888 288-5152 Fax 732 469-1919

Part No.: **CFPC-050-B87152-XX-RB-XX-XX**

Description: FPC connector, 0.50mm pitch, right-angle, bottom contacts



UNIT: mm