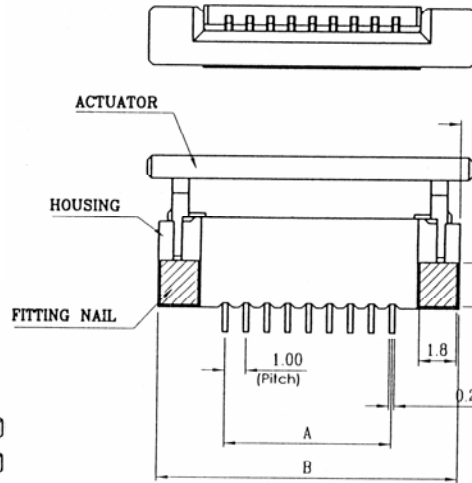
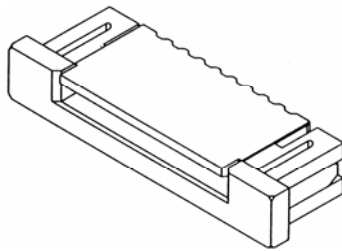


**SPECIFICATIONS**

Voltage rating: 125VAC/VDC  
 Current rating: 1 amp AC/DC  
 Contact material: Phosphor bronze  
 Contact resistance: 20 milliohms max.  
 Housing material: High temp. nylon, UL94V-0  
 Insulation resistance: 100 megohms min.  
 Actuator material: PPS, UL94V-0  
 Fitting nail material: Phosphor bronze  
 Withstanding: 500 VAC/rms  
 Operating temperature: -20°C to +85°C  
 Packaging: Embossed tape and reel  
 For 0.30mm thick FFC/FPC connector

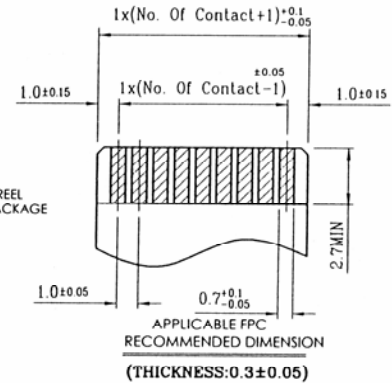


**P/N LEGEND**

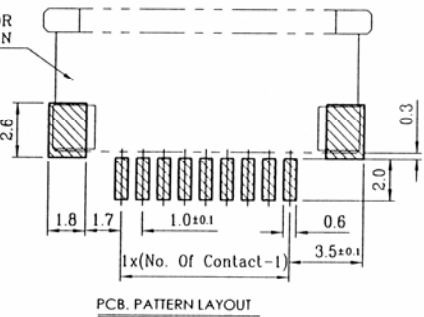
85201-XX X2

NO OF Contact

PACKING:  
 02: TAPE & REEL  
 22: TUBE PACKAGE



CONNECTOR LOCATION



Poles	A	B	C	Poles	A	B	C	Poles	A	B	C	Poles	A	B	C	Poles	A	B	C
03	2.0	8.6	4.4	11	10.0	16.6	12.4	19	18.0	24.6	20.4	27	26.0	32.6	28.4	35	34.0	40.6	36.4
04	3.0	9.6	5.4	12	11.0	17.6	13.4	20	19.0	25.6	21.4	28	27.0	33.6	29.4	36	35.0	41.6	37.4
05	4.0	10.6	6.4	13	12.0	18.6	14.4	21	20.0	26.6	22.4	29	28.0	34.6	30.4	37	36.0	42.6	38.4
06	5.0	11.6	7.4	14	13.0	19.6	15.4	22	21.0	27.6	23.4	30	29.0	35.6	31.4	38	37.0	43.6	39.4
07	6.0	12.6	8.4	15	14.0	20.6	16.4	23	22.0	28.6	24.4	31	30.0	36.6	32.4	39	38.0	44.6	40.4
08	7.0	13.6	9.4	16	15.0	21.6	17.4	24	23.0	29.6	25.4	32	31.0	37.6	33.4	40	39.0	45.6	41.4
09	8.0	14.6	10.4	17	16.0	22.6	18.4	25	24.0	30.6	26.4	33	32.0	38.6	34.4				
10	9.0	15.6	11.4	18	17.0	23.6	19.4	26	25.0	31.6	27.4	34	33.0	39.6	35.4				

Series	Type	Positions	Plating	Options
CFPC	C	XX	XX	XX
FPC connector	1mm R/A top contacts, SMT	03-40	GD=Gold SG=Selective gold TN=Matt tin	[blank]=Tube TR=Tape and reel

RoHS compliant

Rev.	Description	Date	Approved	Drawing	Name	Date
				Approved	Howard	8/10/99
				Checked	Lizzy	8/10/99
				Drawn	Tina	8/10/99
				0.0 ± 0.35	0.00 ± 0.20	Angles ± 3'
				UNIT: mm		

**Central Components Manufacturing**  
 440 Lincoln Blvd., Middlesex, New Jersey 08846  
 Phone 732 469-5720 888 288-5152 Fax 732 469-1919

Part No.: **CFCC-C-XX-XX-XX**

Description: 1mm pitch FFC/FPC ZIF socket