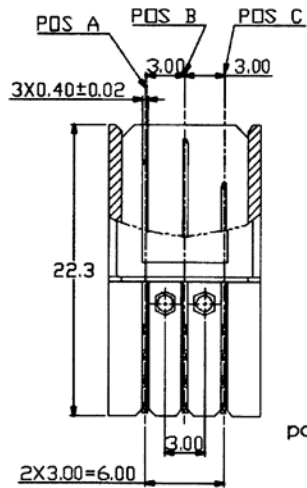
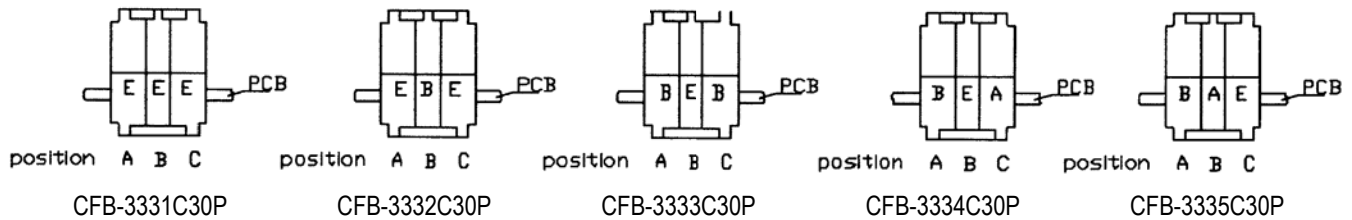


**RECOMMENDED P.C.B HOLE LAYOUT
(CONNECTOR SIDE)**



REMARK: (A2)



RoHS compliant

Rev.	Description	Date	Approved	Drawing	Name	Date
				Approved	Howard	06/17/03
				Checked	Lizzy	06/17/03
				Drawn	Tina	06/17/03
				0.0 ± 0.35	0.00 ± 0.20	Angles ± 3'
					UNIT: mm	

Central Components Manufacturing
440 Lincoln Blvd., Middlesex, New Jersey 08846
Phone 732 469-5720 888 288-5152 Fax 732 469-1919

Part No.: **CFB-333XCXXP**

Description: C111 male serial 3 position power connector with press fit pins. 10mi and 30mi plating available