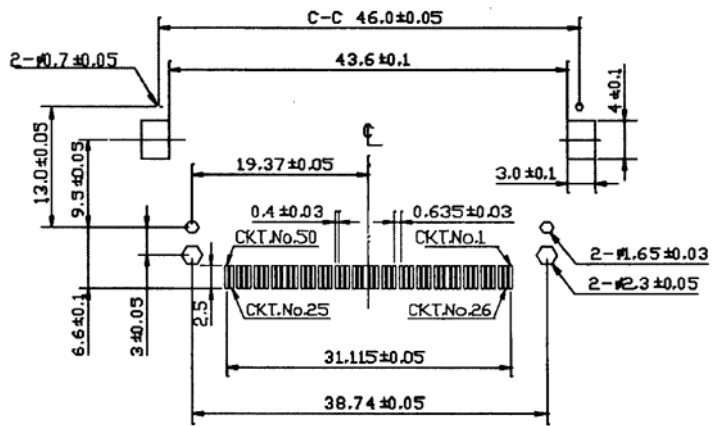
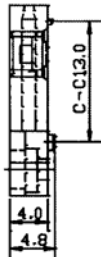
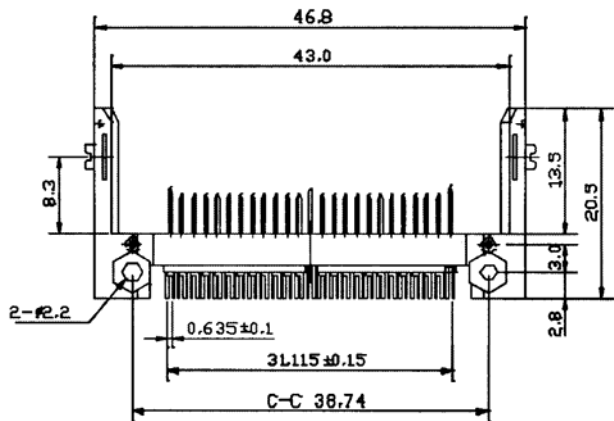
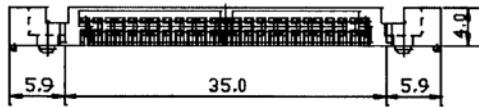


SPECIFICATIONS

- Insulator: Glass reinforced LCP, UL94V-0
- Contacts: Brass alloy
- Contact plating: Gold over nickel 40μ"
- Mounting ear: Brass, tin plated
- Solder tails: Tin 100μ" over nickel 40μ"



RECOMMENDED P.C.B. LAYOUT



RoHS compliant

Rev.	Description	Date	Approved	Drawing	Name	Date
				Approved	Howard	03/09/01
				Checked	Lizzy	03/09/01
				Drawn	Tina	03/09/01

Central Components Manufacturing
 440 Lincoln Blvd., Middlesex, New Jersey 08846
 Phone 732 469-5720 888 288-5152 Fax 732 469-1919

Part No.: **CF-A-5-1-2-0**

Description: 50 position CF card header, SMT

0.0 ± 0.35 0.00 ± 0.20 Angles ± 3'
 UNIT: mm

