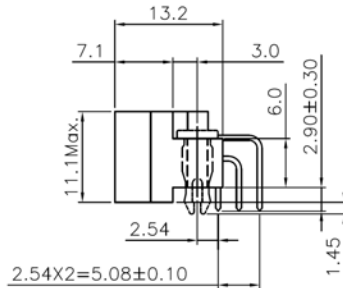
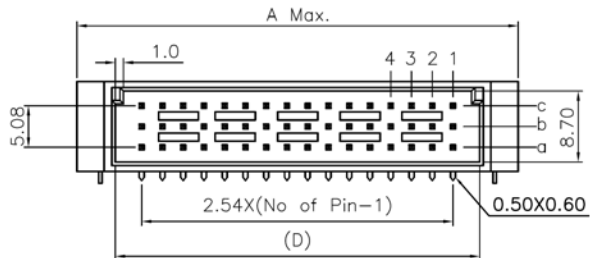
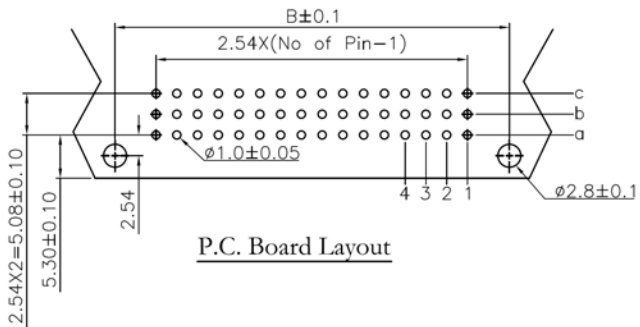


**SPECIFICATIONS**

Housing: Thermoplastic Polyester Glass Filled UL94V-0  
 Contacts: Copper Alloy  
 Lock: Copper Alloy  
 Current Rating: 2 Amp  
 Withstanding Voltage: AC 1000V for 1 minute  
 Insulator Resistance: 1000M $\Omega$  min. at DC 500V  
 Contact Resistance: 20m $\Omega$  max. at DC 100mA  
 Operating Temp: -55C ~ +125C



Dimension				
Position	A	B	C	D
48/32/16	54.00	48.26	47.40	44.60
30/20/10	38.10	33.02	32.16	29.36
Pitch	Position	Rows with Contacts	Contact Arrange	P/N
2.54mm	48	a b c		9001-15481C~
	32	a - c		9001-15321C~
	30	a b c		9001-15301C~
	20	a - c		9001-15201C~
	16	a - -		9001-15161C~
	10	a - -		9001-15101C~



**RoHS Compliant**

Rev.	Description	Date	Approved	Drawing	Name	Date
				Approved	Howard	12/18/13
				Checked	Lizzy	12/18/13
				Drawn	Tina	12/18/13
				0.0 ± 0.35	0.00 ± 0.20	Angles ± 3'
					UNIT: mm	

**Central Components Manufacturing**  
 440 Lincoln Blvd., Middlesex, New Jersey 08846  
 Phone 732 469-5720 888 288-5152 Fax 732 469-1919

Part No.: **CED-1-B-48-A1-B1-7-SG-C2**

Description: DIN41612 Half C Male