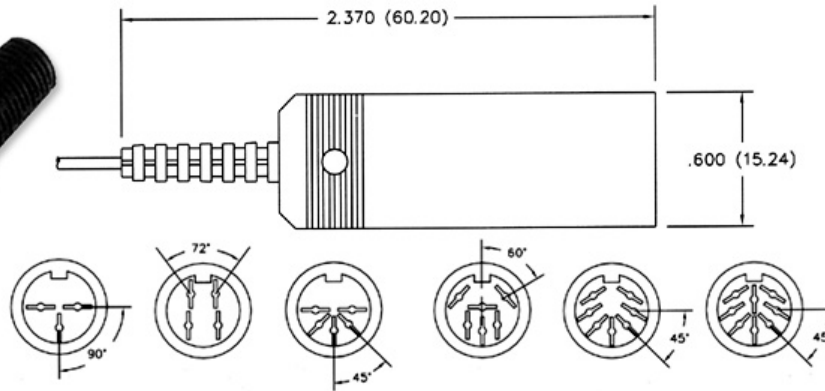


CDS Series




SPECIFICATIONS

Operating Voltage:	100 VAC max.
Current Rating:	2 amps max.
Contact Resistance:	10 milliohms max.
Insulation Resistance:	500 megohms min.
Shield:	Steel, nickel plated
Inner Shell:	Nickel plated steel
Outer shell:	PVC
Insulator:	PBT Glass Reinforced UL94V-0
Contacts:	Phosphor bronze
Contact Plating:	Silver over nickel
Withstanding:	250VAC for 1 min.
Cycle Life:	1500 insertion/separation cycles
Operating Temp:	-55C to +125C

Series	Size	Options
CDS	XX	XX
Circular DIN Plug Female	3-8 positions	GD=Gold Plating BL=Barrel Only

Rev.	Description	Date	Approved	Drawing	Name	Date
				Approved	Howard	08/30/05
				Checked	Lizzy	08/30/05
				Drawn	Tina	08/30/05
				0.0 ± 0.35	0.00 ± 0.20	Angles ± 3'
				UNIT: mm		


Central Components Manufacturing
 440 Lincoln Blvd., Middlesex, New Jersey 08846
 Phone 732 469-5720 888 288-5152 Fax 732 469-1919

Part No.: **CDS-XX-XX**
 Description: Circular DIN Plug Female