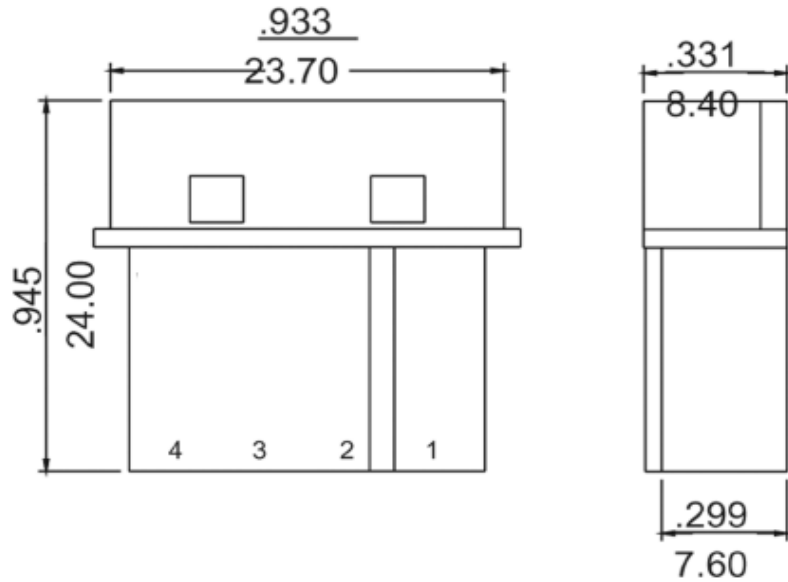


SPECIFICATIONS

Voltage rating: 250VAC/VDC
 Current rating: 5 amps AC/DC
 Housing material: Nylon UL94V-2
 Housing color: Natural



inch
mm

RoHS compliant

Rev.	Description	Date	Approved	Drawing	Name	Date
				Approved	Howard	08/10/99
				Checked	Lizzy	08/10/99
				Drawn	Tina	08/10/99
				0.0 ± 0.35	0.00 ± 0.20	Angles ± 3'
						UNIT: mm

Central Components Manufacturing
 440 Lincoln Blvd., Middlesex, New Jersey 08846
 Phone 732 469-5720 888 288-5152 Fax 732 469-1919

Part No.: **CDP8851-04**

Description: 5.08mm pitch disk drive power connector