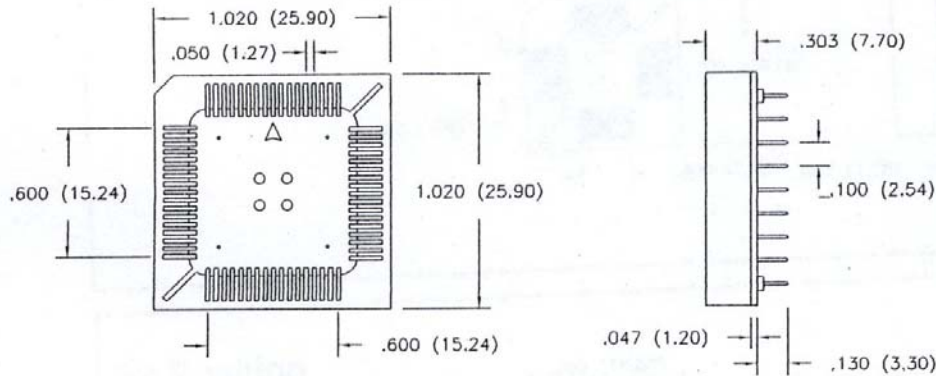
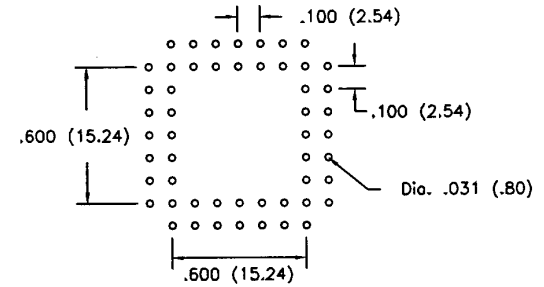


52 Position



PC Board Layout



SPECIFICATIONS

Operating voltage: 250 VAC max.
 Current rating: 1 amp
 Insulation material: PPT glass reinforced, UL94V-0
 Contact material: Phosphor bronze
 Contact plating: Bright tin over copper
 Optional gold plating available
 Contract resistance: 30 milliohms max.
 Insulator resistance: 1000 megohms min.
 Dielectric withstanding: 500 VAC min.
 Operating temperature: -55°C to +105°C
 Processing Temp: 240°C

Dimensions						
Contacts	A	B	C	D	E	F
20	15.50	15.50	5.08	5.08	5.08	5.08
28	18.04	18.04	7.62	7.62	7.62	7.62
32	18.04	20.54	7.62	10.16	7.62	10.16
44	23.48	23.48	12.70	12.70	12.70	12.70
52	25.88	25.88	15.24	15.24	15.24	15.24
68	31.04	31.04	20.32	20.32	20.32	20.32
84	36.04	36.04	25.40	25.40	25.40	25.40

Series	Positions	Plating
CCTH	XX	XX
PLCC Through Hole	20,28,32,44,52,68,84	TN=Tin GD=Gold

RoHS compliant

Rev.	Description	Date	Approved	Drawing	Name	Date
				Approved	Howard	04/10/96
				Checked	Lizzy	04/10/96
				Drawn	Tina	04/10/96
				0.0 ± 0.35	0.00 ± 0.20	Angles ± 3'
				UNIT: mm		

Central Components Manufacturing
 440 Lincoln Blvd., Middlesex, New Jersey 08846
 Phone 732 469-5720 888 288-5152 Fax 732 469-1919

Part No.: **CCTH-52-XX**
 Description: PLCC socket, 52 pin 0.050" pitch through hole version