

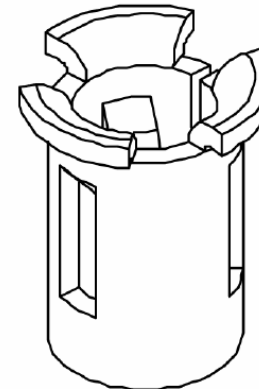
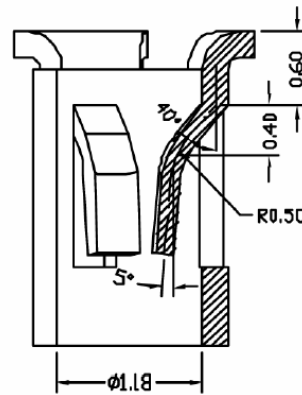
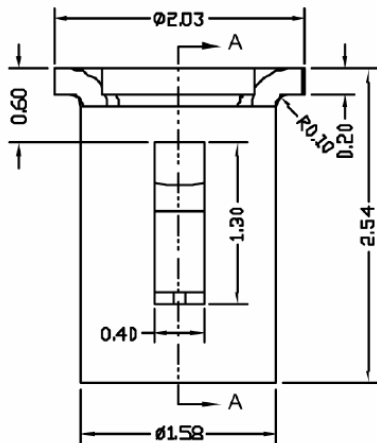
**SPECIFICATIONS**

Receptacle material:

Phosphor bronze (t=0.2mm)

Receptacle plating:

Gold 3μ" over nickel 80μ" over copper



**SECTION A-A**

RoHS compliant

Rev.	Description	Date	Approved	Drawing	Name	Date
				Approved	Howard	10/04/04
				Checked	Lizzy	10/04/04
				Drawn	Tina	10/04/04
				0.0 ± 0.35	0.00 ± 0.20	Angles ± 3'
						UNIT: mm

**Central Components Manufacturing**  
 440 Lincoln Blvd., Middlesex, New Jersey 08846  
 Phone 732 469-5720 888 288-5152 Fax 732 469-1919

Part No.: **CCT-0021X-TN1**

Description: Board receptacle