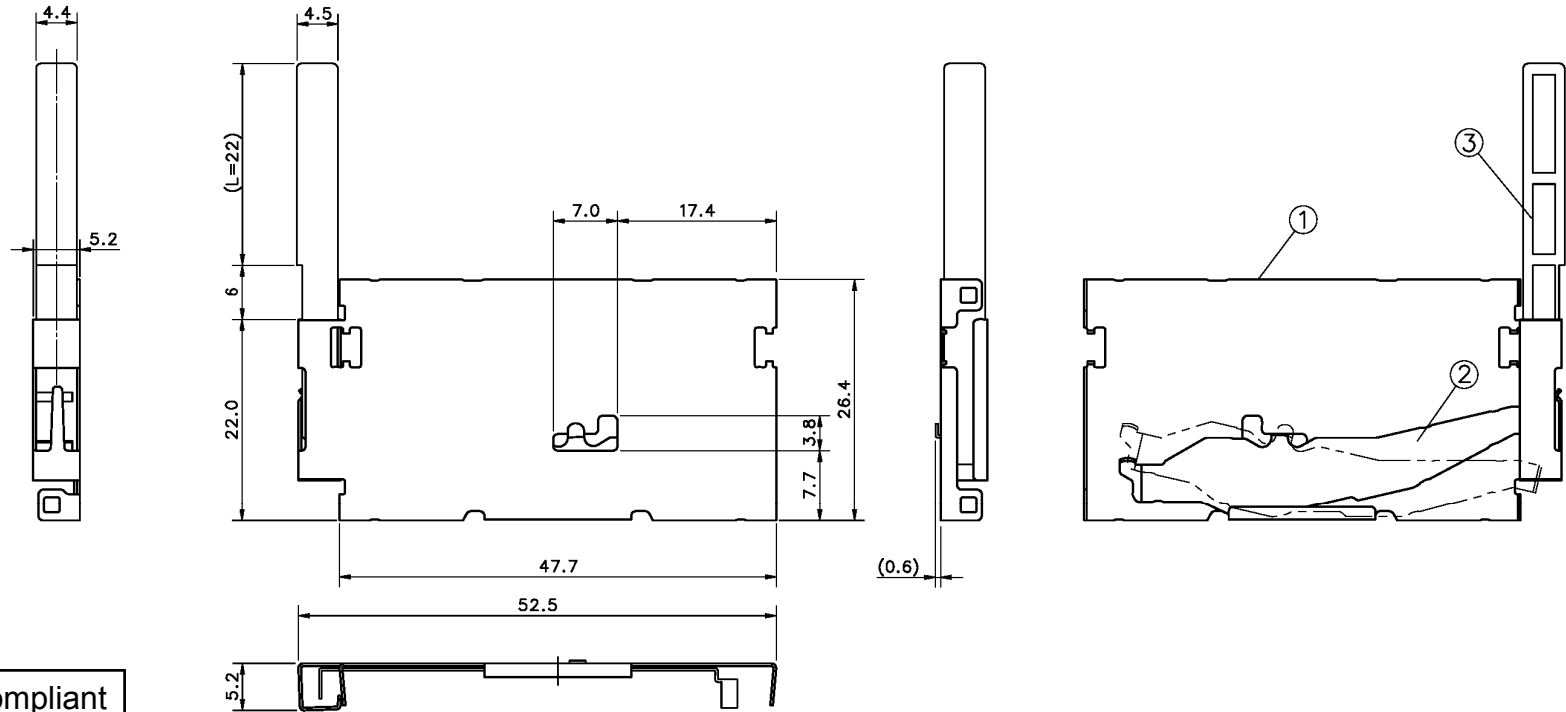


**SPECIFICATIONS**

Metal Shell: Stainless Steel T=0.3  
 Lever: Stainless Steel T=0.3  
 Button: PBT G.F. UL94V-0 Black



RoHS compliant

Rev.	Description	Date	Approved	Drawing	Name	Date
				Approved	Howard	05/18/99
				Checked	Lizzy	05/18/99
				Drawn	Tina	05/18/99
				0.0 ± 0.35	0.00 ± 0.20	Angles ± 3'
				UNIT: mm		

**Central Components Manufacturing**  
 440 Lincoln Blvd., Middlesex, New Jersey 08846  
 Phone 732 469-5720 888 288-5152 Fax 732 469-1919

Part No.: **CCF-60811041**

Description: CF Card Connector, Shell Assembly