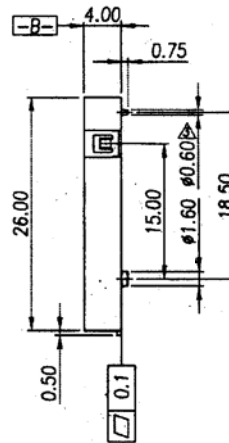
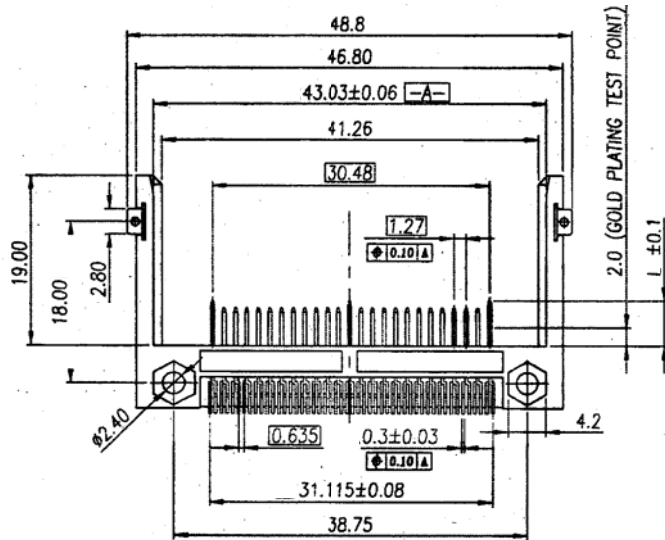


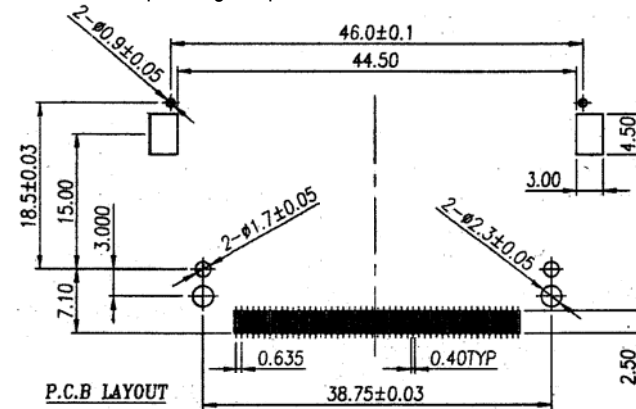
Dimensions		
Type	A	B
Normal	0.80	1.40
Reverse	1.40	0.80

Pin Dimensions		
Pin type	Dimension	Pin no.
Power	5.00	1, 13, 38, 50
detect	3.50	25, 26
General	4.25	All other pins



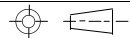
### SPECIFICATIONS

- Current rating: 0.5 amps
- Voltage rating: 100VAC
- Contact material: Brass
- Contact resistance: 40 milliohm max.
- Contact plating: Selective gold over nickel
- Housing material: LCP, UL 94V-0
- Insulation resistance: 1000 megohm max.
- Solderable hold down: Brass
- Holddown plating: Tin over nickel
- Withstanding: 500 VAC/1 min.
- Operating temperature: -40°C to +85°C



RoHS compliant

Rev.	Description	Date	Approved	Drawing	Name	Date
				Approved	Howard	08/10/99
				Checked	Lizzy	08/10/99
				Drawn	Tina	08/10/99
				0.0 ± 0.35	0.00 ± 0.20	Angles ± 3'



UNIT: mm

**Central Components Manufacturing**  
 440 Lincoln Blvd., Middlesex, New Jersey 08846  
 Phone 732 469-5720 888 288-5152 Fax 732 469-1919

Part No.: **CCF-60305-X-XX**

Description: Compact flash card holder, 50 position surface mount