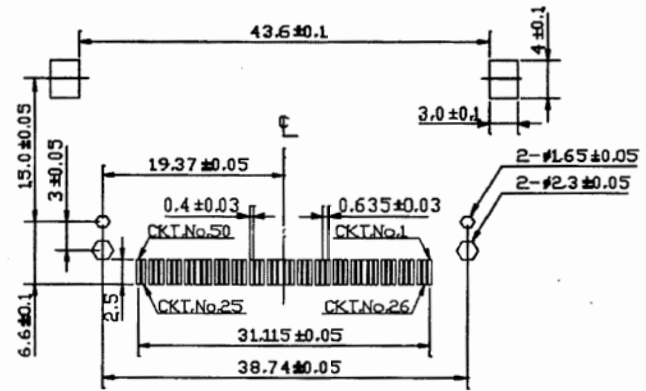
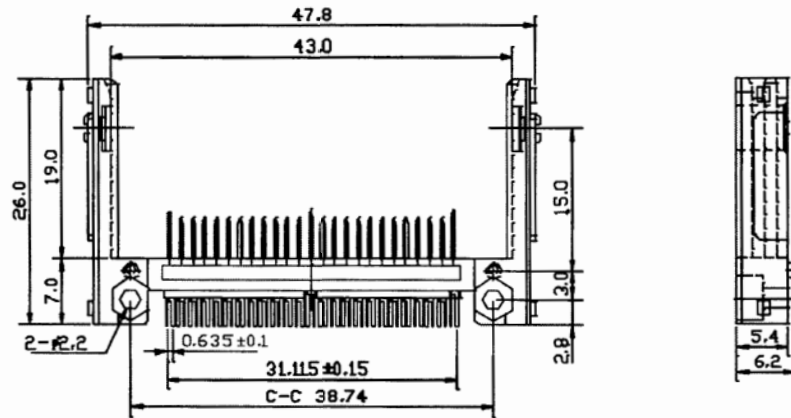
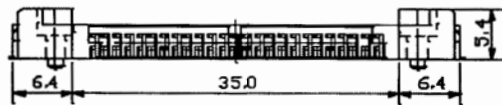


SPECIFICATIONS

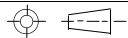
- Contact material: Brass alloy
- Contact plating: Gold over nickel in mating area
Tin over nickel in tail area
- Housing material: Glass reinforced LCP, UL94V-0
- Mounting ear: Brass tin plated



RECOMMENDED P.C.B. LAYOUT



RoHS compliant

Rev.	Description	Date	Approved	Drawing	Name	Date
				Approved	Howard	08/10/99
				Checked	Lizzy	08/10/99
				Drawn	Tina	08/10/99
				0.0 ± 0.35	0.00 ± 0.20	Angles ± 3'
						UNIT: mm

Central Components Manufacturing
 440 Lincoln Blvd., Middlesex, New Jersey 08846
 Phone 732 469-5720 888 288-5152 Fax 732 469-1919

Part No.: **CCF-60154020**

Description: CF card header SMT 50P type 1H