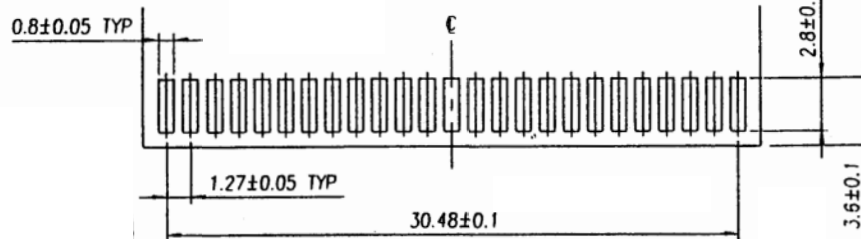
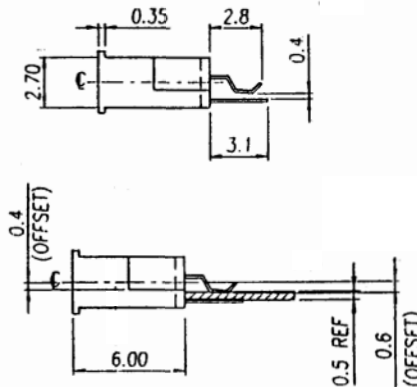
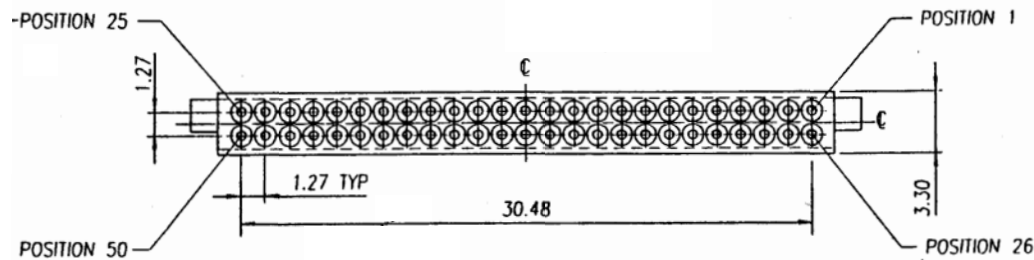


SPECIFICATIONS

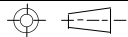
Contact material: Copper alloy
 Contact plating: Gold (flash, 5, 10, 15, 30, 50μ") with tin tail
 Housing material: LCP glass filled



RECOMMENDED PCB LAYOUT FOR BOTH SIDES

RoHS compliant

Rev.	Description	Date	Approved	Drawing	Name	Date
				Approved	Howard	08/10/99
				Checked	Lizzy	08/10/99
				Drawn	Tina	08/10/99
				0.0 ± 0.35	0.00 ± 0.20	Angles ± 3'



UNIT: mm

Central Components Manufacturing
 440 Lincoln Blvd., Middlesex, New Jersey 08846
 Phone 732 469-5720 888 288-5152 Fax 732 469-1919

Part No.: **CCF-60248-150-SGXX**

Description: PCMCIA F 50 position straddle