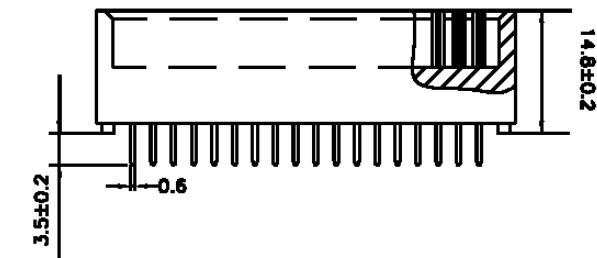
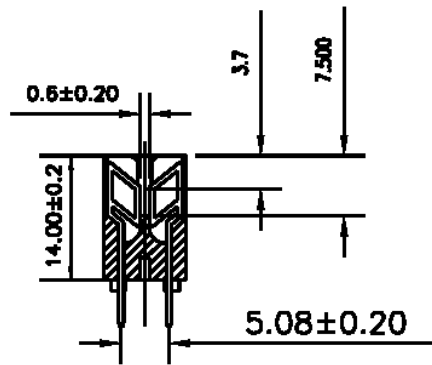
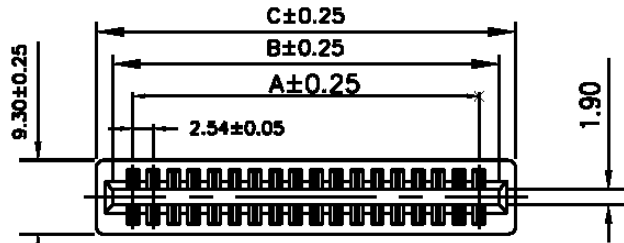


**SPECIFICATIONS**

Voltage rating: 500 volts  
 Current rating: 3 amps  
 Contact material: Phosphor bronze  
 Contact plating: Gold over nickel  
 Contact resistance: 20 milliohms max.  
 Insulation resistance: 5,000 megohms min. at 500VDC  
 Insulator material: PBT with 30% GF, UL 94V-0  
 Operating temperature: -40°C to +105°C

| Circuit | Dimension |       |       | Circuit | Dimension |       |       |
|---------|-----------|-------|-------|---------|-----------|-------|-------|
|         | A         | B     | C     |         | A         | B     | C     |
| 6       | 5.08      | 10.66 | 14.22 | 40      | 48.26     | 53.84 | 57.40 |
| 8       | 7.62      | 13.20 | 16.76 | 42      | 50.80     | 56.38 | 59.94 |
| 10      | 10.16     | 15.74 | 19.30 | 44      | 53.34     | 58.92 | 62.48 |
| 12      | 12.70     | 18.28 | 21.84 | 46      | 55.88     | 61.46 | 65.02 |
| 14      | 15.24     | 20.82 | 24.38 | 48      | 58.42     | 64.00 | 67.56 |
| 16      | 17.78     | 23.36 | 26.92 | 50      | 60.96     | 66.54 | 70.10 |
| 18      | 20.32     | 25.90 | 29.46 | 52      | 63.50     | 69.08 | 72.64 |
| 20      | 22.86     | 28.44 | 32.00 | 54      | 66.04     | 71.62 | 75.18 |
| 22      | 25.40     | 30.98 | 34.54 | 56      | 68.58     | 74.16 | 77.72 |
| 26      | 27.94     | 33.52 | 37.08 | 58      | 71.12     | 76.70 | 80.26 |
| 26      | 30.48     | 36.06 | 39.62 | 60      | 73.66     | 79.24 | 82.80 |
| 28      | 33.02     | 38.60 | 42.16 | 62      | 76.20     | 81.78 | 85.34 |
| 30      | 35.56     | 41.14 | 44.70 | 64      | 78.74     | 84.32 | 87.88 |
| 32      | 38.10     | 43.68 | 47.24 | 66      | 81.28     | 86.86 | 90.42 |
| 34      | 40.64     | 46.22 | 49.78 | 68      | 83.82     | 89.40 | 92.96 |
| 36      | 43.18     | 48.76 | 52.32 | 70      | 86.36     | 91.94 | 95.50 |
| 38      | 45.72     | 51.30 | 54.86 | 72      | 88.90     | 94.48 | 98.04 |



| Series                         | Position | Type      | Finish             |
|--------------------------------|----------|-----------|--------------------|
| CCE-A                          | XX       | B         | GD                 |
| 2.54 pitch card edge connector |          | See table | B=DIP type GD=Gold |

RoHS compliant

| Rev. | Description | Date | Approved | Drawing    | Name        | Date        |
|------|-------------|------|----------|------------|-------------|-------------|
|      |             |      |          | Approved   | Howard      | 05/11/06    |
|      |             |      |          | Checked    | Lizzy       | 05/11/06    |
|      |             |      |          | Drawn      | Tina        | 05/11/06    |
|      |             |      |          | 0.0 ± 0.35 | 0.00 ± 0.20 | Angles ± 3' |
|      |             |      |          | UNIT: mm   |             |             |

**Central Components Manufacturing**  
 440 Lincoln Blvd., Middlesex, New Jersey 08846  
 Phone 732 469-5720 888 288-5152 Fax 732 469-1919

Part No.: **CCE-A-XX-B-GD**

Description: Card edge connector, 2.54 pitch, DIP type