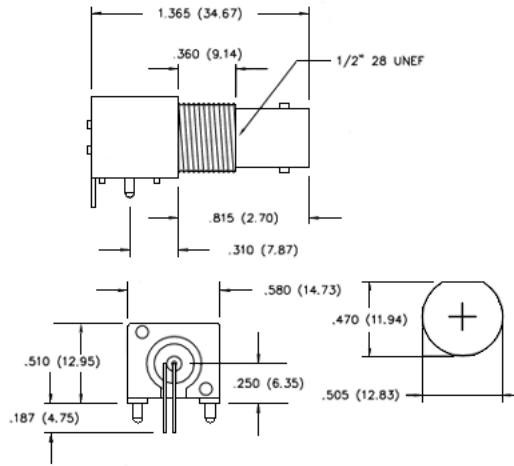
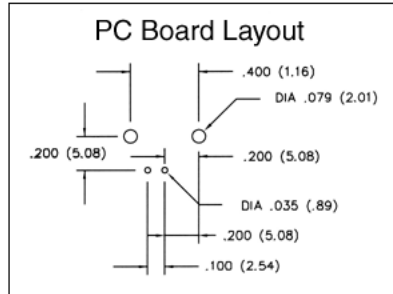
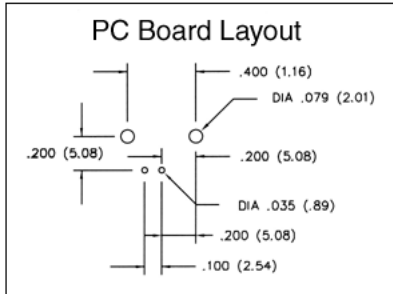
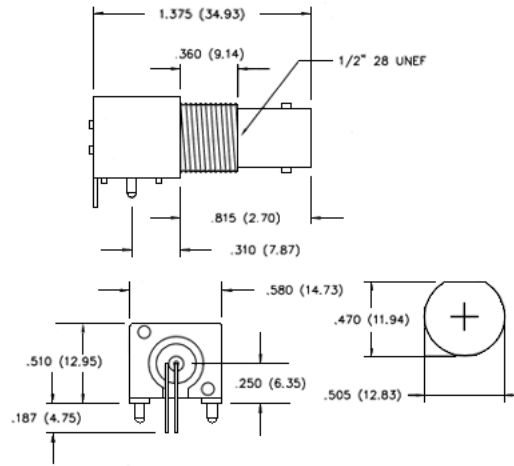


Right Angle Capacitor Type



Right Angle Standard Type



SPECIFICATIONS

Operating Voltage: 500 VAC max.
 Impedance: 50ohms/75 ohms
 Frequency Range: 0-4/0-2 GHz
 Contact Resistance: Inner: 6/1.5 milliohms
 Outer: 3/0.2 milliohms
 Insulation Resistance: 5000 megohms min.
 Withstanding Voltage: 1500VAC for 1 min.
 Cycle Life: 500 insertion/separation cycles min
 Shell: Zinc
 Insulator: PBT (polybutylene terephthalate)
 Glass Reinforced UL94V-0 rated
 Contacts: Phosphor Bronze
 Contact Plating: Contact area, Gold over Nickel
 Solder Tail Area, Tin Plating
 Dielectric: Polypropylene
 Operating Temp: -55C to +105C

Series	Profile	Board Mounting	Coupling	Shell	Body Color	Special Options
CBN	XX	XX	XX	XX	XX	XX
BNC Connector	H=High Profile L=Low Profile 950k=950k Profile Connector 960k=960k Profile Connector	RM=Right Angle VM=Vertical	A=#4-40 Threaded Sleeve B=Bayonet Sleeve	M=Metal Body P=Plastic Body	BK=Black WT=White BN=Green YL=Yellow BL=Blue RD=Red RW=Red/White RY=Red/Yellow BG=Blue/Green	[blank]=50ohm CP=Capacitor Type DP=Dual Port R/A Mount 75=75ohm HW=Hardware & Nut 30GD=30u" Gold Plated Contacts BL=Board Locks

RoHS compliant

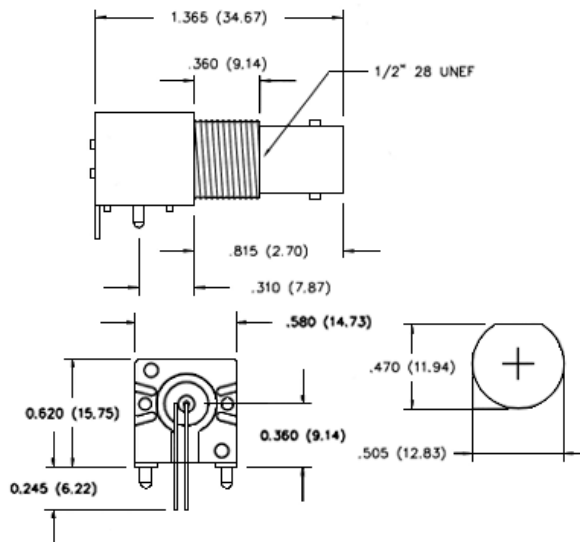
Rev.	Description	Date	Approved	Drawing	Name	Date
				Approved	Howard	08/30/05
				Checked	Lizzy	08/30/05
				Drawn	Tina	08/30/05
				0.0 ± 0.35	0.00 ± 0.20	Angles ± 3'
				UNIT: mm		

Central Components Manufacturing
 440 Lincoln Blvd., Middlesex, New Jersey 08846
 Phone 732 469-5720 888 288-5152 Fax 732 469-1919

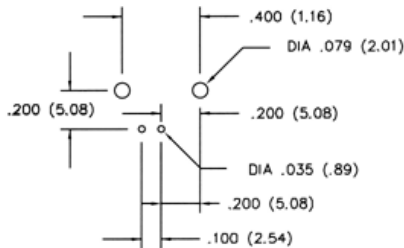
Part No.: **CBN-XX-XX-XX-XX-XX-XX**

Description: BNC Connectors

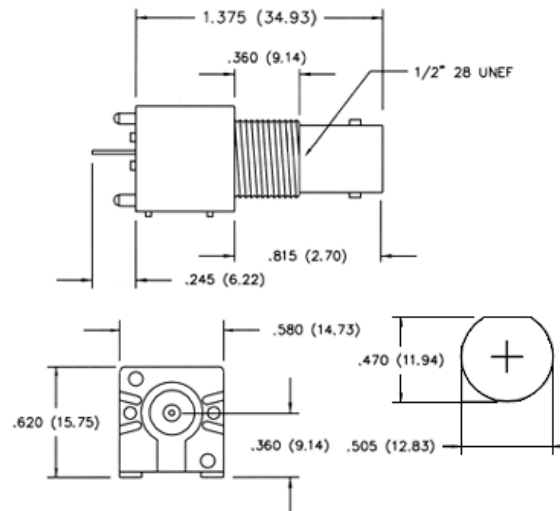
Right Angle High Profile Type



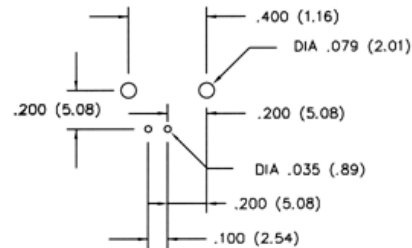
PC Board Layout



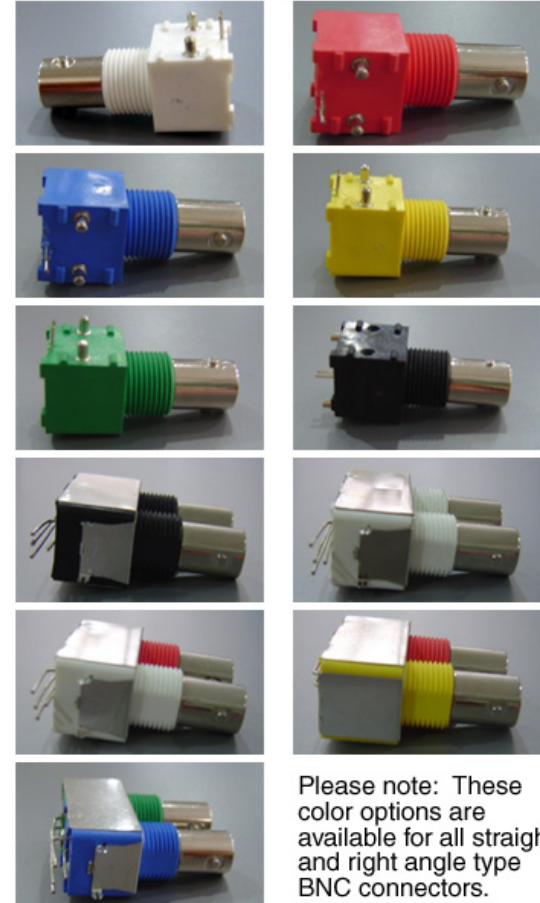
Vertical Mount Type




PC Board Layout



Color Options



Please note: These color options are available for all straight and right angle type BNC connectors.

Rev.	Description	Date	Approved	Drawing	Name	Date
				Approved	Howard	08/30/05
				Checked	Lizzy	08/30/05
				Drawn	Tina	08/30/05
				0.0 ± 0.35	0.00 ± 0.20	Angles ± 3'
				UNIT: mm		
						 Central Components Manufacturing 440 Lincoln Blvd., Middlesex, New Jersey 08846 Phone 732 469-5720 888 288-5152 Fax 732 469-1919
						Part No.: CBN-XX-XX-XX-XX-XX-XX
						Description: BNC Connectors