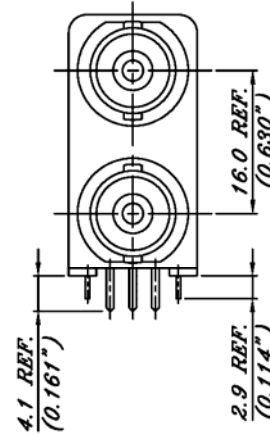
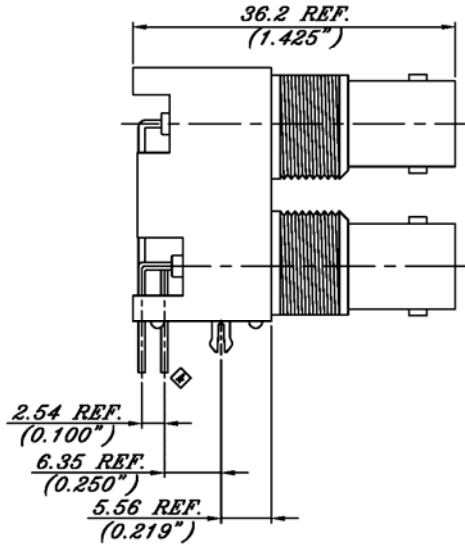
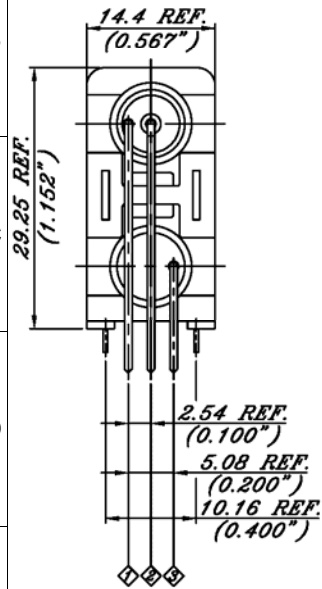
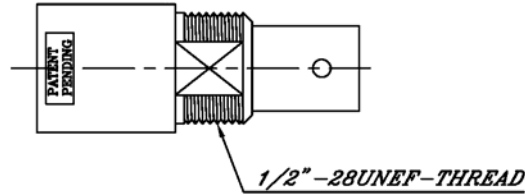


SPECIFICATIONS

Operating voltage: 500 V RMS
 Contact resistance: 3 milliohms max. (gold)
 Insulation resistance: 5000 megohms min.
 Withstanding: 1500 V RMS
 Nominal impedance: 50 ohms
 Mating/unmating: 500 cycles
 Temperature range: -65°C to +165°C
 Thermal shock: Mil-Std-202, method 107, cond. B
 Physical shock: Mil-Std-202, method 204, cond. B



Item	Name	Material	Finish
1	Housing	PBT+30% glass fiber, UL94V-0	
2	Body	Zinc alloy	Nickel
3	Center contact	Phosphor bronze	Gold in contact area; tin on tail
4	Insulator	Polypropylene, UL94HB	
5	Grounding terminal	Copper wire	Tin
6	Mounting hook	Brass	Tin

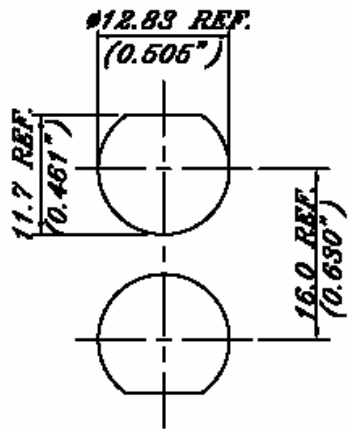
Series	Profile	Mounting Type	Body Style	Shell Material	Color
CBN	901AK	RM	B	PM	XX
BNC connector	901AK profile	RM=Right-angle mount	B=Bayonet	P=Plastic	WT=White

RoHS compliant

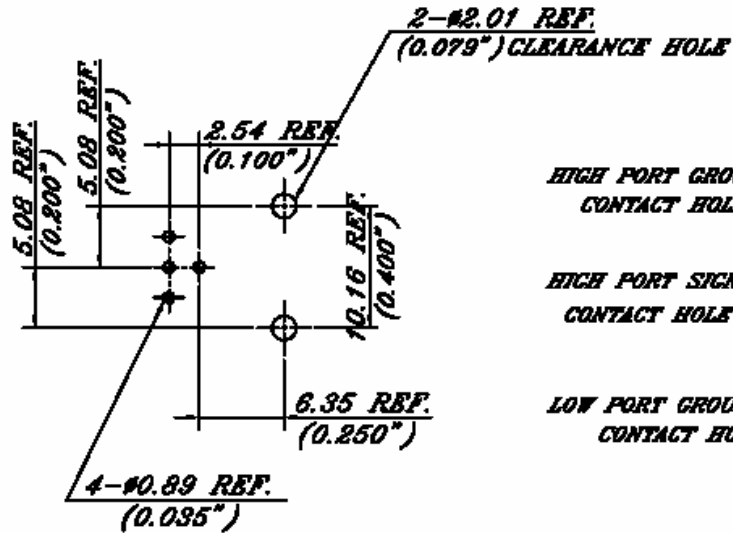
Rev.	Description	Date	Approved	Drawing	Name	Date
				Approved	Howard	05/08/07
				Checked	Lizzy	05/08/07
				Drawn	Tina	05/08/07
				0.0 ± 0.35	0.00 ± 0.20	Angles ± 3'
					UNIT: mm	

Central Components Manufacturing
 440 Lincoln Blvd., Middlesex, New Jersey 08846
 Phone 732 469-5720 888 288-5152 Fax 732 469-1919

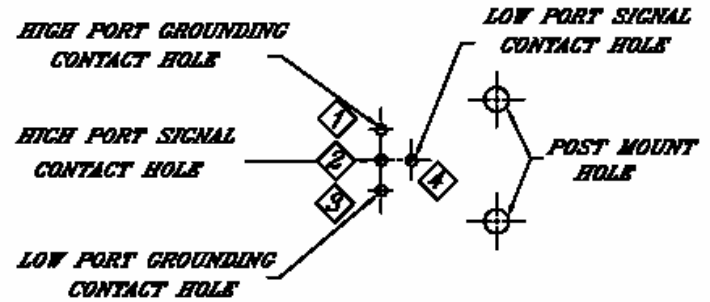
Part No.: **CBN-901AK-RM-B-P-WW**
 Description: Dual port BNC connector, right-angle PCB mount, 50 ohms



PANEL CUTOUT



RECOMMEND P.C.B LAYOUT



RECOMMEND P.C.B LAYOUT

Rev.	Description	Date	Approved	Drawing	Name	Date
				Approved	Howard	05/08/07
				Checked	Lizzy	05/08/07
				Drawn	Tina	05/08/07
				0.0 ± 0.35	0.00 ± 0.20	Angles ± 3'
					UNIT: mm	

Central Components Manufacturing
440 Lincoln Blvd., Middlesex, New Jersey 08846
Phone 732 469-5720 888 288-5152 Fax 732 469-1919

Part No.: **CBN-901AK-RM-B-P-WW**

Description: Dual port BNC connector, right-angle PCB mount, 50 ohms