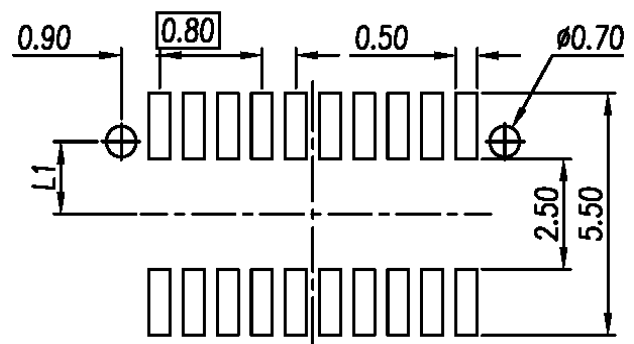
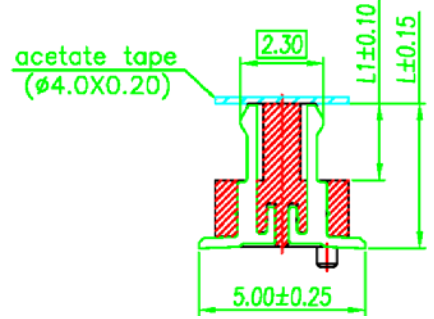
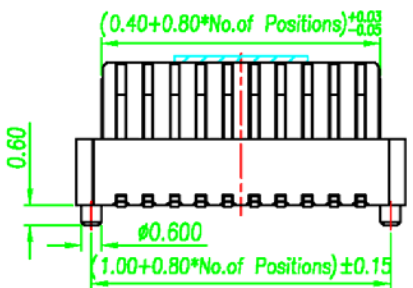


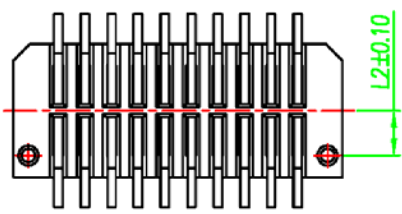
SPECIFICATIONS
 Current rating: 0.5 amps
 Contact material: Phosphor bronze
 Contact plating: Selective gold, gold flash, tin
 Contact resistance: 20 milliohms max.
 Insulation material: Nylon 9T polyester, UL 94V-0
 Insulation resistance: 1000 megohms min.
 Withstanding: 300 VAC 1 min.
 Operating temp.: -40°C to +105°C



RECOMMENDED P.C.BOARD LAYOUT



Stacked Profile Dim. (mm)			
	Height	L	L1
6	4.00	2.80	1.350
1	4.50	3.30	1.350
2	5.00	3.80	1.350
3	5.50	4.30	1.350
4	6.00	4.80	1.350
5	6.50	5.30	1.350
7	7.00	5.30	1.250



Series	Type	Profile	Contacts	Plating	Mounting	Package
CBB	PBC24	X	XX	XX	SM	XX
Board to board connector	Plug	(See chart)	08 to 50	GD=Gold flash GD15=15µ" gold SG=Selective gold SG15=15µ" SG TN=Tin	SM=Surface mount	Blank=None TP=Acetate tape TR=Reel TPR=A. Tape & reel

RoHS compliant

Rev.	Description	Date	Approved	Drawing	Name	Date
				Approved	Howard	4/23/08
				Checked	Lizzy	4/23/08
				Drawn	Tina	4/23/08
		0.0 ± 0.35	0.00 ± 0.20	Angles ± 3'		
				UNIT: mm		

Central Components Manufacturing
 440 Lincoln Blvd., Middlesex, New Jersey 08846
 Phone 732 469-5720 888 288-5152 Fax 732 469-1919

Part No.: **CBB-PBC24-X-XX-XX-SM-XX**

Description: 0.80mm male board-to-board SMD connector