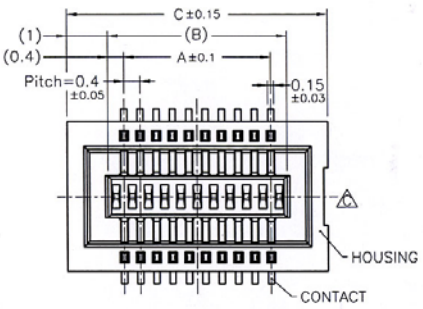
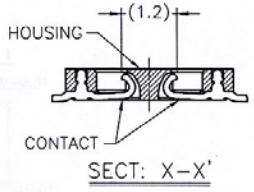
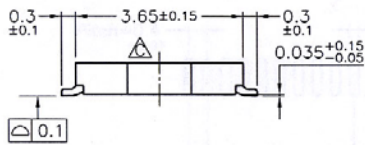
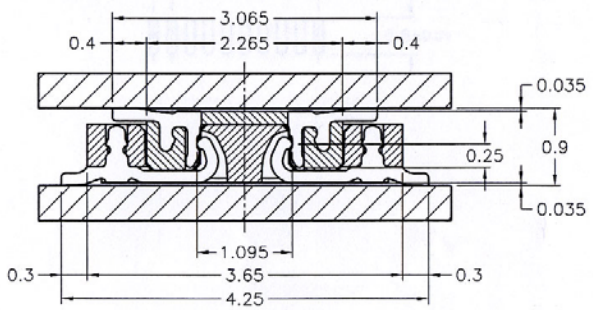


Dimensions			
Contacts	A	B	C
10	1.6	2.4	4.4
12	2.0	2.8	4.8
14	2.4	3.2	5.2
16	2.8	3.6	5.6
18	3.2	4.0	6.0
20	3.6	4.4	6.4
22	4.0	4.8	6.8
24	4.4	5.2	7.2
26	4.8	5.6	7.6
28	5.2	6.0	8.0
30	5.6	6.4	8.4
32	6.0	6.8	8.8
34	6.4	7.2	9.2
36	6.8	7.6	9.6
38	7.2	8.0	10.0
40	7.6	8.4	10.4
42	8.0	8.8	10.8
44	8.4	9.2	11.2
46	8.8	9.6	11.6
48	9.2	10.0	12.0
50	9.6	10.4	12.4
52	10.0	10.8	12.8
54	10.4	11.2	13.2
56	10.8	11.6	13.6
58	11.2	12.0	14.0
60	11.6	12.4	14.4
62	12.0	12.8	14.8
64	12.4	13.2	15.2
66	12.8	13.6	15.6
68	13.2	14.0	16.0
70	13.6	14.4	16.4
72	14.0	14.8	16.8
74	14.4	15.2	17.2
76	14.8	15.6	17.6
78	15.2	16.0	18.0
80	15.6	16.4	18.4

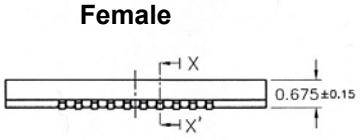


MATED DRAWING(REF.)

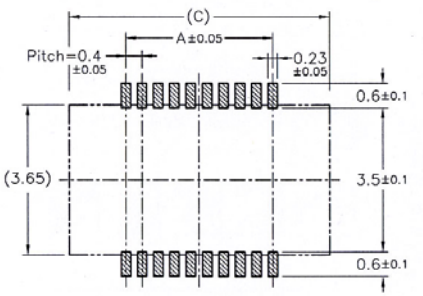


SCALE: 15/1

SPECIFICATIONS
 Current Rating: 0.3A
 Voltage Rating: 50V
 Operating Temp: -25C~+85C



PCB Layout



RoHS compliant

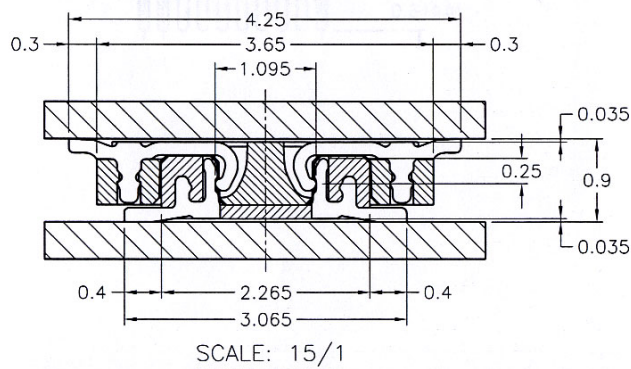
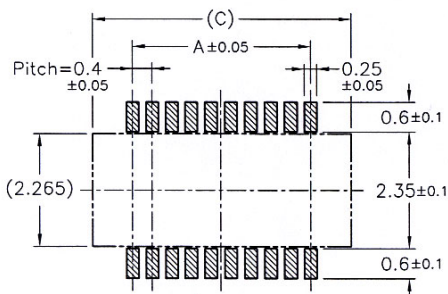
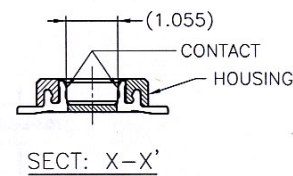
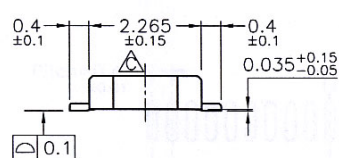
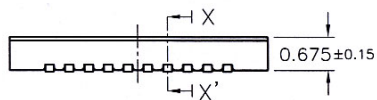
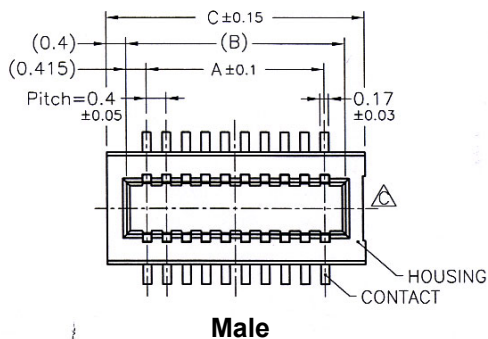
Series	Type	Gender	Positions	Stack Height	Plating	Packaging
CBB	409	X	XXX	A	XX	XX
Board to Board Connector	0.4mm Pitch	M=Male F=Female	See Chart	A=.9mm	GD5=5u" gold GD10=10u" gold	TR=Tape & Reel TB=Tube

Rev.	Description	Date	Approved	Drawing	Name	Date
				Approved	Howard	03/23/10
				Checked	Lizzy	03/23/10
				Drawn	Tina	03/23/10
				0.0 ± 0.35	0.00 ± 0.20	Angles ± 3'
				UNIT: mm		

Central Components Manufacturing
 440 Lincoln Blvd., Middlesex, New Jersey 08846
 Phone 732 469-5720 888 288-5152 Fax 732 469-1919

Part No.: **CBB-409-X-XXX-A-XX-XX-X**

Description: S0.4mm Pitch B to B Connector



Dimensions			
Contacts	A	B	C
10	1.6	2.43	3.23
12	2.0	2.83	3.63
14	2.4	3.23	4.03
16	2.8	3.63	4.43
18	3.2	4.03	4.83
20	3.6	4.43	5.23
22	4.0	4.83	5.63
24	4.4	5.23	6.03
26	4.8	5.63	6.43
28	5.2	6.03	6.83
30	5.6	6.43	7.23
32	6.0	6.83	7.63
34	6.4	7.23	8.03
36	6.8	7.63	8.43
38	7.2	8.03	8.83
40	7.6	8.43	9.23
42	8.0	8.83	9.63
44	8.4	9.23	10.03
46	8.8	9.63	10.43
48	9.2	10.03	10.83
50	9.6	10.43	11.23
52	10.0	10.83	11.63
54	10.4	11.23	12.03
56	10.8	11.63	12.43
58	11.2	12.03	12.83
60	11.6	12.43	13.23
62	12.0	12.83	13.63
64	12.4	13.23	14.03
66	12.8	13.63	14.43
68	13.2	14.03	14.83
70	13.6	14.43	15.23
72	14.0	14.83	15.63
74	14.4	15.23	16.03
76	14.8	15.63	16.43
78	15.2	16.03	16.83
80	15.6	16.43	17.23

Rev.	Description	Date	Approved	Drawing	Name	Date
				Approved	Howard	03/23/10
				Checked	Lizzy	03/23/10
				Drawn	Tina	03/23/10
				0.0 ± 0.35	0.00 ± 0.20	Angles ± 3'
				UNIT: mm		

Central Components Manufacturing
 440 Lincoln Blvd., Middlesex, New Jersey 08846
 Phone 732 469-5720 888 288-5152 Fax 732 469-1919

Part No.: **CBB-409-X-XXX-A-XX-XX-X**

Description: S0.4mm Pitch B to B Connector