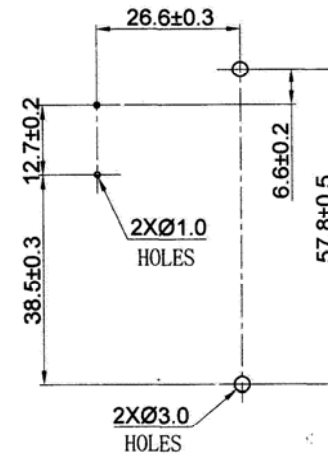
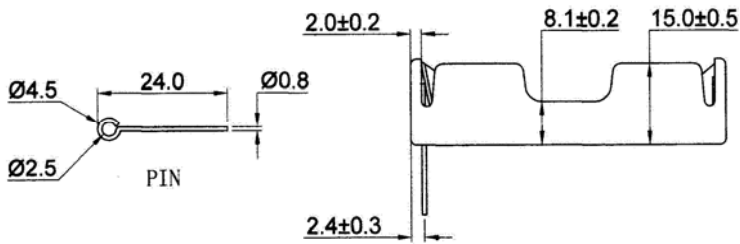



**SPECIFICATIONS**  
 Pin: Ø0.8 x 24mm, Brass Nickel Plated  
 Material: P.P. Resin, Black  
 Spring: Ø0.7mm 65C Spring  
 Steel Nickel Plated  
 Rivet: Brass Nickel Plated



PCB/MOUNTING LAYOUT

RoHS compliant

Rev.	Description	Date	Approved	Drawing	Name	Date
				Approved	Howard	11/21/09
				Checked	Lizzy	11/21/09
				Drawn	Tina	11/21/09
				0.0 ± 0.35	0.00 ± 0.20	Angles ± 3'
				UNIT: mm		



**Central Components Manufacturing**  
 440 Lincoln Blvd., Middlesex, New Jersey 08846  
 Phone 732 469-5720 888 288-5152 Fax 732 469-1919

Part No.: **BTH-341-1P24**

Description: 4 X AA Battery Holder, PCB Mount